

[Afficher tous les 60 produits de la même famille.](#)

TECHSPEC® Modèle Standard, Force par le Côté, Microm. Etendue Impérial, 70mm



TECHSPEC® Crossed-Roller Bearing Linear Translation Stages (Standard-Top Model)



Stock #66-431 **5 In Stock**

- 1 + €590⁰⁰

AJOUTER AU PANIER

| Prix sur Quantité | |
|-------------------|----------------------------------|
| Qté 1-2 | €590,00 prix unitaire |
| Qté 3+ | €514,90 prix unitaire |
| Need More? | Demande de Devis |

ⓘ Les prix sont indiqués hors TVA et droits applicables.

Espace téléchargement

Caractéristiques du produit

English **Type:**

Propriétés physiques et mécaniques

Linear (X) **Type de Mouvement:**

| | |
|------------------------------------|--|
| Guide System: | |
| Crossed Roller Bearing | |
| Position de la Vis: | |
| Side Drive | |
| Taille de Plateau (mm): | |
| 70 x 70 | |
| Course (pouces): | |
| 1 | |
| Filetage au Centre: | |
| 1/4-20 | |
| Construction: | |
| Aluminium Stage | |
| Pas de Vis-Mère (mm): | |
| 0.635 | |
| Capacité de Charge (kg): | |
| 8 | |
| Taille de Plateau (pouces): | |
| 2.75 x 2.75 | |
| Précision (µm): | |
| 2 | |
| Pitch (arcsec): | |
| 30 | |
| Yaw (arcsec): | |
| 25 | |

Connectivité matérielle & interfaçage

| | |
|--------------------|--|
| Mécanisme: | |
| English Micrometer | |

Filetage & montage

| | |
|--------------------------------|--|
| Filetage: | |
| (8) 1/4-20, (4) 6-32, (8) 2-56 | |

Conformité réglementaire

| | |
|------------------------------------|--|
| RoHS 2015: | |
| Dispensé | |
| Certificate of Conformance: | |
| Visionner | |
| REACH 241: | |
| Contains SVHC(s) | |

Description produit

- Quatre tailles de 30 x 30 mm à 125 x 125 mm
- Schémas de trous impériaux et métriques disponibles
- Versions avec micromètres ou vis-mère disponibles
- Peuvent facilement être converties en configurations X-Y et X-Y-Z

Les Platines de Translation à Rouleaux Croisés - Axe Unique (Modèle Standard) TECHSPEC® possèdent un système de guidage à rouleaux croisés sophistiqué, qui offre un niveau élevé de précision, de rigidité et de capacité de charge. Ce système de guidage avancé permet à ces platines d'assurer un positionnement précis avec une précision en ligne droite de 2 µm. Les Platines de Translation à Rouleaux Croisés - Axe Unique (Modèle Standard) TECHSPEC® sont conçues pour s'intégrer avec d'autres tailles de platines ainsi qu'avec les Platines de Translation Manuelle TECHSPEC®, offrant ainsi une flexibilité accrue et permettant à l'utilisateur de créer un nombre illimité d'axes dans différentes configurations. Le modèle standard de ces platines de translation est disponible avec un schéma de trous impériaux 1/4-20 TPI et un modèle métrique avec un trou de montage central M6.

Toutes les platines de translation sont compatibles avec les salles blanches de classe 100 (ISO 5) et sont disponibles avec une vis micrométrique ou une vis-mère avec une configuration à entraînement central ou latéral. Les entraînements à vis-mère offrent un pas de 0,5 mm. Les micromètres métriques offrent un pas de 0,5 mm avec des divisions de 0,01 mm, et les micromètres impériaux offrent un pas de 0,025" avec des divisions de 0,001".

Les [Équerres à Axe Z TECHSPEC](#) peuvent être utilisés avec nos platines de translation pour configurer votre propre système de positionnement multi-axes X-Y-Z. Les Platines Adaptatrices de Dessous TECHSPEC offrent un moyen simple et pratique de monter des plateaux de 30 mm et 40 mm sur des tables optiques standard. Aucune platine adaptatrice n'est nécessaire pour nos platines de translation de 70 mm et 125 mm qui peuvent être montées directement sur les tables optiques.

Informations techniques

| Bottom Stage | Top Stage | | | | | | | | | | | | |
|----------------------|----------------------|----------------|----------------|----------------|-------------------|----------------|----------------------|----------------|----------------|----------------|-------------------|----------------|----------------|
| | 30mm Linear Dovetail | 30mm Linear | 30mm Vertical | 30mm Tip/Tilt | 30mm Cosineometer | 30mm Rotary | 40mm Linear Dovetail | 40mm Linear | 40mm Vertical | 40mm Tip/Tilt | 40mm Cosineometer | 40mm Rotary | |
| 30mm Linear Dovetail | Compatible | Not Applicable | Not Applicable | Not Applicable | Not Applicable | Not Applicable | Not Applicable | Not Applicable | Not Applicable | Not Applicable | Not Applicable | Not Applicable | Not Applicable |
| 30mm Linear | Compatible | Compatible | Not Applicable | Not Applicable | Not Applicable | Not Applicable | Not Applicable | Not Applicable | Not Applicable | Not Applicable | Not Applicable | Not Applicable | Not Applicable |
| 30mm Vertical | Compatible | Not Applicable | Compatible | Not Applicable | Not Applicable | Not Applicable | Not Applicable | Not Applicable | Not Applicable | Not Applicable | Not Applicable | Not Applicable | Not Applicable |
| 30mm Tip/Tilt | Compatible | Not Applicable | Not Applicable | Compatible | Not Applicable | Not Applicable | Not Applicable | Not Applicable | Not Applicable | Not Applicable | Not Applicable | Not Applicable | Not Applicable |
| 30mm Cosineometer | Compatible | Not Applicable | Not Applicable | Not Applicable | Compatible | Not Applicable | Not Applicable | Not Applicable | Not Applicable | Not Applicable | Not Applicable | Not Applicable | Not Applicable |
| 30mm Rotary | Compatible | Not Applicable | Not Applicable | Not Applicable | Not Applicable | Compatible | Not Applicable | Not Applicable | Not Applicable | Not Applicable | Not Applicable | Not Applicable | Not Applicable |
| 40mm Linear Dovetail | Compatible | Not Applicable | Not Applicable | Not Applicable | Not Applicable | Not Applicable | Compatible | Not Applicable | Not Applicable | Not Applicable | Not Applicable | Not Applicable | Not Applicable |
| 40mm Linear | Compatible | Compatible | Not Applicable | Not Applicable | Not Applicable | Not Applicable | Compatible | Not Applicable | Not Applicable | Not Applicable | Not Applicable | Not Applicable | Not Applicable |
| 40mm Vertical | Compatible | Not Applicable | Compatible | Not Applicable | Not Applicable | Not Applicable | Compatible | Not Applicable | Not Applicable | Not Applicable | Not Applicable | Not Applicable | Not Applicable |
| 40mm Tip/Tilt | Compatible | Not Applicable | Not Applicable | Compatible | Not Applicable | Not Applicable | Compatible | Not Applicable | Not Applicable | Not Applicable | Not Applicable | Not Applicable | Not Applicable |
| 40mm Cosineometer | Compatible | Not Applicable | Not Applicable | Not Applicable | Compatible | Not Applicable | Compatible | Not Applicable | Not Applicable | Not Applicable | Not Applicable | Not Applicable | Not Applicable |
| 40mm Rotary | Compatible | Not Applicable | Not Applicable | Not Applicable | Not Applicable | Compatible | Compatible | Not Applicable | Not Applicable | Not Applicable | Not Applicable | Not Applicable | Not Applicable |
| 65mm Linear Dovetail | Compatible | Not Applicable | Not Applicable | Not Applicable | Not Applicable | Not Applicable | Not Applicable | Compatible | Not Applicable | Not Applicable | Not Applicable | Not Applicable | Not Applicable |
| 70mm Linear | Compatible | Compatible | Not Applicable | Not Applicable | Not Applicable | Not Applicable | Not Applicable | Compatible | Not Applicable | Not Applicable | Not Applicable | Not Applicable | Not Applicable |
| 70mm Vertical | Compatible | Not Applicable | Compatible | Not Applicable | Not Applicable | Not Applicable | Not Applicable | Compatible | Not Applicable | Not Applicable | Not Applicable | Not Applicable | Not Applicable |
| 70mm Tip/Tilt | Compatible | Not Applicable | Not Applicable | Compatible | Not Applicable | Not Applicable | Not Applicable | Compatible | Not Applicable | Not Applicable | Not Applicable | Not Applicable | Not Applicable |
| 70mm Cosineometer | Compatible | Not Applicable | Not Applicable | Not Applicable | Compatible | Not Applicable | Not Applicable | Compatible | Not Applicable | Not Applicable | Not Applicable | Not Applicable | Not Applicable |
| 70mm Rotary | Compatible | Not Applicable | Not Applicable | Not Applicable | Not Applicable | Compatible | Not Applicable | Compatible | Not Applicable | Not Applicable | Not Applicable | Not Applicable | Not Applicable |
| 125mm Linear | Compatible | Not Applicable | Not Applicable | Not Applicable | Not Applicable | Not Applicable | Not Applicable | Not Applicable | Compatible | Not Applicable | Not Applicable | Not Applicable | Not Applicable |
| 125mm Vertical | Compatible | Not Applicable | Compatible | Not Applicable | Not Applicable | Not Applicable | Not Applicable | Not Applicable | Compatible | Not Applicable | Not Applicable | Not Applicable | Not Applicable |
| 125mm Tip/Tilt | Compatible | Not Applicable | Not Applicable | Compatible | Not Applicable | Not Applicable | Not Applicable | Not Applicable | Compatible | Not Applicable | Not Applicable | Not Applicable | Not Applicable |
| 125mm Rotary | Compatible | Not Applicable | Not Applicable | Not Applicable | Not Applicable | Compatible | Not Applicable | Not Applicable | Not Applicable | Compatible | Not Applicable | Not Applicable | Not Applicable |

30mm Standard-Top Stages - Center Drive



30mm Standard-Top Stages - Side Drive



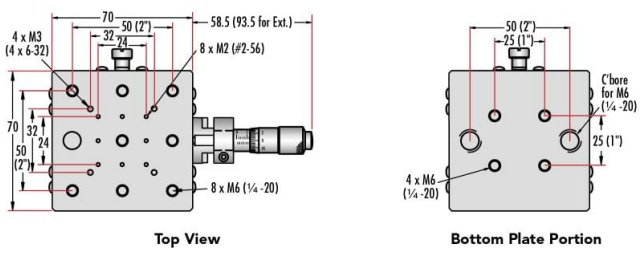
40mm Standard-Top Stages - Center Drive



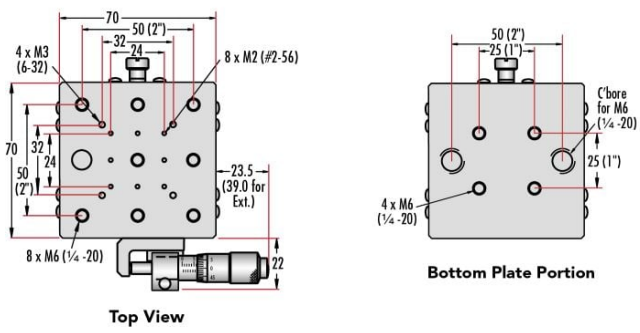
40mm Standard-Top Stages - Side Drive



70mm Standard-Top Stages - Center Drive



70mm Standard-Top Stages - Side Drive



125mm Standard-Top Stages - Center Drive



125mm Standard-Top Stages - Side Drive

