

TECHSPEC® Plateau Rotatif 70mm, Métrique



Stock #66-517 **20+ In Stock**

- 1 + €465^{.00}

AJOUTER AU PANIER

Prix sur Quantité	
Qté 1-2	€465,00 prix unitaire
Qté 3+	€406,10 prix unitaire
Need More?	Demande de Devis

Les prix sont indiqués hors TVA et droits applicables.

Espace téléchargement

Caractéristiques du produit

Metric **Type:**

Propriétés physiques et mécaniques

Rotary **Type de Mouvement:**

Slide-Fit **Guide System:**

70 Dia.	Taille de Plateau (mm):
±5 (Fine), 360 (Coarse)	Course (°):
40	Concentricité (µm):
Aluminium Stage	Construction:
10	Incréments (arcmin):
3	Capacité de Charge (kg):
40	Parallélisme (µm):
0.3	Poids (kg):
20	Wobble (µm):

Connectivité matérielle & interfaçage

Metric Micrometer **Mécanisme:**

Filetage & montage

(5) M6 x 1, (4) M3 x 0.5, (8) M2 x 0.4 **Filetage:**

Conformité réglementaire

[Dispensé](#) **RoHS 2015:**

[Visionner](#) **Certificate of Conformance:**

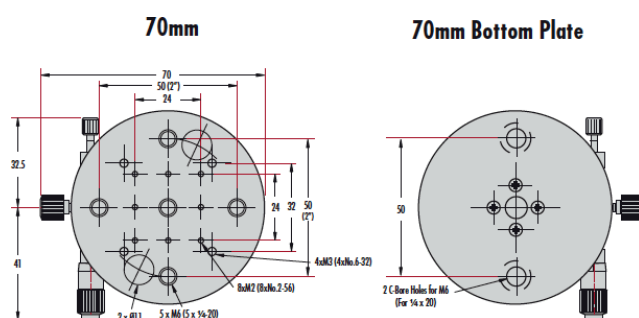
[Contains SVHC\(s\)](#) **REACH 241:**

Description produit

- Conception à profil bas
- Micromètre de précision
- Système de guidage coulissant
- Rotation grossière de 360°, rotation précise de ±5°
- Mécaniquement compatibles avec d'autres Plateaux TECHSPEC®
- Ecrou de blocage sur tous les plateaux
- Compatibles avec les salles blanches de classe 100 (ISO 5)

Nos Plateaux Rotatifs TECHSPEC® offrent une course régulière et se composent d'un micromètre de précision. Ceci permet une rotation rapide de 360° et d'un ajustement angulaire dans toute position. Le plateau peut être fixé en utilisant le mécanisme de blocage. Les Plateaux Rotatifs TECHSPEC® sont disponibles en quatre formats : 30 mm, 40 mm, 70 mm et 125 mm de diamètre. Chaque plateau est disponible en version impériale ou métrique. Chaque plateau a été conçu pour s'intégrer avec nos plateaux TECHSPEC® ce qui améliore encore la flexibilité et permet à l'utilisateur de créer n'importe quel nombre d'axes dans différentes configurations. La [platine adaptatrice inférieure](#), vendue séparément, est nécessaire pour le montage de nos plateaux 30 et 40 mm à une table de laboratoire standard (les 70 et 125 mm se monteront directement à celle-ci).

Informations techniques



Bottom Stage	Top Stage																					
	30mm Linear Dovetail	30mm Linear	30mm Vertical	30mm Tip/Tilt	30mm Goniometer	30mm Rotary	40mm Linear Dovetail	40mm Linear	40mm Vertical	40mm Tip/Tilt	40mm Goniometer	40mm Rotary	70mm Linear	70mm Vertical	70mm Tip/Tilt	70mm Goniometer	70mm Rotary	125mm Linear	125mm Vertical	125mm Tip/Tilt	125mm Rotary	
30mm Linear Dovetail	Compatible	Not Applicable	Not Applicable	Not Applicable	Not Applicable	Not Applicable	Compatible	Not Applicable	Not Applicable	Not Applicable	Not Applicable	Not Applicable	Not Applicable	Not Applicable	Not Applicable	Not Applicable	Not Applicable	Not Applicable	Not Applicable	Not Applicable	Not Applicable	Not Applicable
30mm Linear	Not Applicable	Compatible	Not Applicable	Not Applicable	Not Applicable	Not Applicable	Not Applicable	Compatible	Not Applicable	Not Applicable	Not Applicable	Not Applicable	Not Applicable	Not Applicable	Not Applicable	Not Applicable	Not Applicable	Not Applicable	Not Applicable	Not Applicable	Not Applicable	Not Applicable
30mm Vertical	Not Applicable	Not Applicable	Compatible	Not Applicable	Not Applicable	Not Applicable	Not Applicable	Not Applicable	Compatible	Not Applicable	Not Applicable	Not Applicable	Not Applicable	Not Applicable	Not Applicable	Not Applicable	Not Applicable	Not Applicable	Not Applicable	Not Applicable	Not Applicable	Not Applicable
30mm Tip/Tilt	Not Applicable	Not Applicable	Not Applicable	Compatible	Not Applicable	Not Applicable	Not Applicable	Not Applicable	Not Applicable	Compatible	Not Applicable	Not Applicable	Not Applicable	Not Applicable	Not Applicable	Not Applicable	Not Applicable	Not Applicable	Not Applicable	Not Applicable	Not Applicable	Not Applicable
30mm Goniometer	Not Applicable	Not Applicable	Not Applicable	Not Applicable	Compatible	Not Applicable	Not Applicable	Not Applicable	Not Applicable	Not Applicable	Compatible	Not Applicable	Not Applicable	Not Applicable	Not Applicable	Not Applicable	Not Applicable	Not Applicable	Not Applicable	Not Applicable	Not Applicable	Not Applicable
30mm Rotary	Not Applicable	Not Applicable	Not Applicable	Not Applicable	Not Applicable	Compatible	Not Applicable	Not Applicable	Not Applicable	Not Applicable	Not Applicable	Compatible	Not Applicable	Not Applicable	Not Applicable	Not Applicable	Not Applicable	Not Applicable	Not Applicable	Not Applicable	Not Applicable	Not Applicable
40mm Linear Dovetail	Not Applicable	Not Applicable	Not Applicable	Not Applicable	Not Applicable	Not Applicable	Compatible	Not Applicable	Not Applicable	Not Applicable	Not Applicable	Not Applicable	Not Applicable	Not Applicable	Not Applicable	Not Applicable	Not Applicable	Not Applicable	Not Applicable	Not Applicable	Not Applicable	Not Applicable
40mm Linear	Not Applicable	Not Applicable	Not Applicable	Not Applicable	Not Applicable	Not Applicable	Not Applicable	Compatible	Not Applicable	Not Applicable	Not Applicable	Not Applicable	Not Applicable	Not Applicable	Not Applicable	Not Applicable	Not Applicable	Not Applicable	Not Applicable	Not Applicable	Not Applicable	Not Applicable
40mm Vertical	Not Applicable	Not Applicable	Not Applicable	Not Applicable	Not Applicable	Not Applicable	Not Applicable	Not Applicable	Compatible	Not Applicable	Not Applicable	Not Applicable	Not Applicable	Not Applicable	Not Applicable	Not Applicable	Not Applicable	Not Applicable	Not Applicable	Not Applicable	Not Applicable	Not Applicable
40mm Tip/Tilt	Not Applicable	Not Applicable	Not Applicable	Not Applicable	Not Applicable	Not Applicable	Not Applicable	Not Applicable	Not Applicable	Compatible	Not Applicable	Not Applicable	Not Applicable	Not Applicable	Not Applicable	Not Applicable	Not Applicable	Not Applicable	Not Applicable	Not Applicable	Not Applicable	Not Applicable
40mm Goniometer	Not Applicable	Not Applicable	Not Applicable	Not Applicable	Not Applicable	Not Applicable	Not Applicable	Not Applicable	Not Applicable	Not Applicable	Compatible	Not Applicable	Not Applicable	Not Applicable	Not Applicable	Not Applicable	Not Applicable	Not Applicable	Not Applicable	Not Applicable	Not Applicable	Not Applicable
40mm Rotary	Not Applicable	Not Applicable	Not Applicable	Not Applicable	Not Applicable	Not Applicable	Not Applicable	Not Applicable	Not Applicable	Not Applicable	Not Applicable	Compatible	Not Applicable	Not Applicable	Not Applicable	Not Applicable	Not Applicable	Not Applicable	Not Applicable	Not Applicable	Not Applicable	Not Applicable
65mm Linear Dovetail	Not Applicable	Not Applicable	Not Applicable	Not Applicable	Not Applicable	Not Applicable	Not Applicable	Not Applicable	Not Applicable	Not Applicable	Not Applicable	Not Applicable	Not Applicable	Not Applicable	Not Applicable	Not Applicable	Not Applicable	Not Applicable	Not Applicable	Not Applicable	Not Applicable	Not Applicable
70mm Linear	Not Applicable	Not Applicable	Not Applicable	Not Applicable	Not Applicable	Not Applicable	Not Applicable	Not Applicable	Not Applicable	Not Applicable	Not Applicable	Not Applicable	Compatible	Not Applicable	Not Applicable	Not Applicable	Not Applicable	Not Applicable	Not Applicable	Not Applicable	Not Applicable	Not Applicable
70mm Vertical	Not Applicable	Not Applicable	Not Applicable	Not Applicable	Not Applicable	Not Applicable	Not Applicable	Not Applicable	Not Applicable	Not Applicable	Not Applicable	Not Applicable	Not Applicable	Compatible	Not Applicable	Not Applicable	Not Applicable	Not Applicable	Not Applicable	Not Applicable	Not Applicable	Not Applicable
70mm Tip/Tilt	Not Applicable	Not Applicable	Not Applicable	Not Applicable	Not Applicable	Not Applicable	Not Applicable	Not Applicable	Not Applicable	Not Applicable	Not Applicable	Not Applicable	Not Applicable	Not Applicable	Compatible	Not Applicable	Not Applicable	Not Applicable	Not Applicable	Not Applicable	Not Applicable	Not Applicable
70mm Goniometer	Not Applicable	Not Applicable	Not Applicable	Not Applicable	Not Applicable	Not Applicable	Not Applicable	Not Applicable	Not Applicable	Not Applicable	Not Applicable	Not Applicable	Not Applicable	Not Applicable	Not Applicable	Compatible	Not Applicable	Not Applicable	Not Applicable	Not Applicable	Not Applicable	Not Applicable
70mm Rotary	Not Applicable	Not Applicable	Not Applicable	Not Applicable	Not Applicable	Not Applicable	Not Applicable	Not Applicable	Not Applicable	Not Applicable	Not Applicable	Not Applicable	Not Applicable	Not Applicable	Not Applicable	Not Applicable	Compatible	Not Applicable	Not Applicable	Not Applicable	Not Applicable	Not Applicable
125mm Linear	Not Applicable	Not Applicable	Not Applicable	Not Applicable	Not Applicable	Not Applicable	Not Applicable	Not Applicable	Not Applicable	Not Applicable	Not Applicable	Not Applicable	Not Applicable	Not Applicable	Not Applicable	Not Applicable	Not Applicable	Compatible	Not Applicable	Not Applicable	Not Applicable	Not Applicable
125mm Vertical	Not Applicable	Not Applicable	Not Applicable	Not Applicable	Not Applicable	Not Applicable	Not Applicable	Not Applicable	Not Applicable	Not Applicable	Not Applicable	Not Applicable	Not Applicable	Not Applicable	Not Applicable	Not Applicable	Not Applicable	Not Applicable	Compatible	Not Applicable	Not Applicable	Not Applicable
125mm Tip/Tilt	Not Applicable	Not Applicable	Not Applicable	Not Applicable	Not Applicable	Not Applicable	Not Applicable	Not Applicable	Not Applicable	Not Applicable	Not Applicable	Not Applicable	Not Applicable	Not Applicable	Not Applicable	Not Applicable	Not Applicable	Not Applicable	Not Applicable	Compatible	Not Applicable	Not Applicable
125mm Rotary	Not Applicable	Not Applicable	Not Applicable	Not Applicable	Not Applicable	Not Applicable	Not Applicable	Not Applicable	Not Applicable	Not Applicable	Not Applicable	Not Applicable	Not Applicable	Not Applicable	Not Applicable	Not Applicable	Not Applicable	Not Applicable	Not Applicable	Not Applicable	Compatible	Not Applicable

