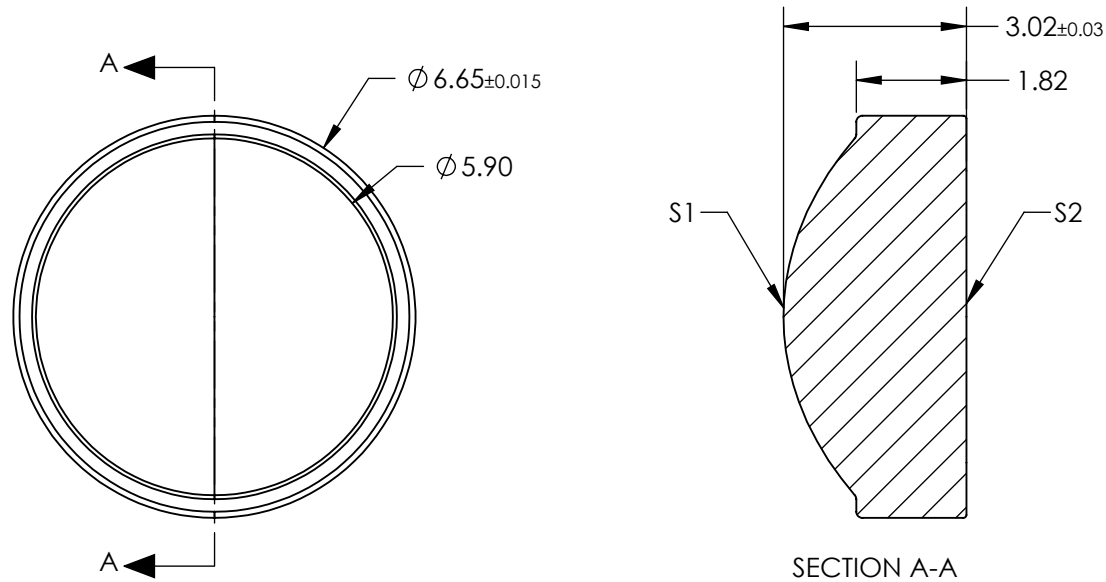
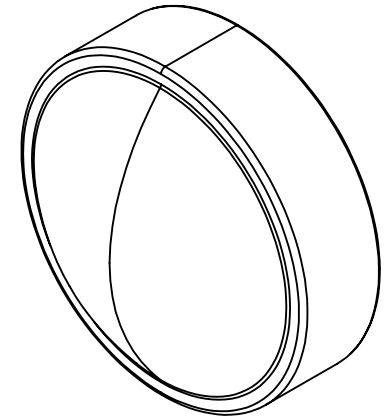


NOTES:

1. SUBSTRATE: D-ZK3

2. COATING (APPLY ACROSS CLEAR APERTURE)

S1 & S2:BBAR (350-700nm)  
 Ravg ≤0.5% @ 350 - 700nm



**FOR INFORMATION ONLY:  
 DO NOT MANUFACTURE  
 PARTS TO THIS DRAWING**

	S1	S2
SHAPE	CONVEX	PLANO
SURFACE QUALITY	60-40	60-40
CLEAR APERTURE (mm)	∅ 5.75	∅ 5.75
NUMERICAL APERTURE	0.44	0.44
TRANSMITTED WAVEFRONT	<0.05 WAVES RMS @ 632.8nm	<0.05 WAVES RMS @ 632.8nm
OPERATING TEMPERATURE (°C)	≤200	≤200
BEVEL	PROTECTED AS NEEDED	PROTECTED AS NEEDED

SPECIFICATIONS SUBJECT TO CHANGE WITHOUT NOTICE  
 DIMENSIONS ARE FOR REFERENCE ONLY

EFL @ 515nm:  
 6.7 ±0.067



TITLE

LightPath 354525 | 6.65mm Dia., 0.44 NA,  
 BBAR (350-700nm), Molded Aspheric Lens

ALL DIMS IN

mm

DWG NO

19701

SHEET  
 1 OF 1