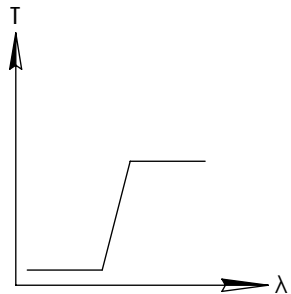
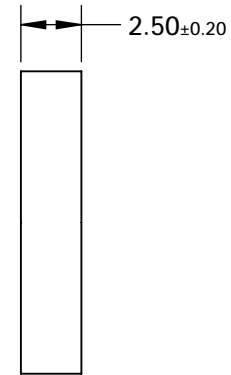
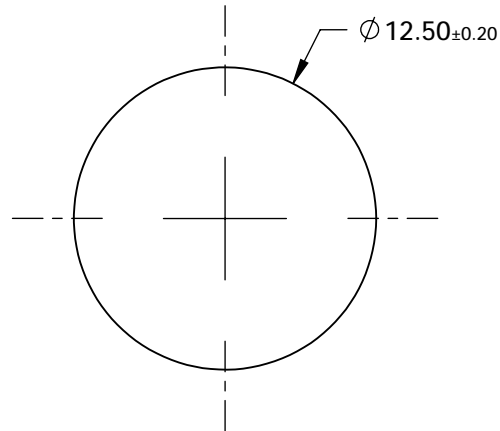
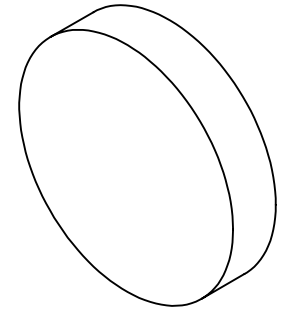


NOTES:

- SUBSTRATE: Hoya UV36N



LONGPASS FILTER

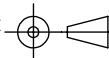
**FOR INFORMATION ONLY:
DO NOT MANUFACTURE
PARTS TO THIS DRAWING**

SPECIFICATIONS SUBJECT TO CHANGE WITHOUT NOTICE
DIMENSIONS ARE FOR REFERENCE ONLY

	VALUE
SHAPE	PLANO
$\Delta\lambda$	<40
TH (%)	>85
CUT-ON WAVELENGTH (nm)	360 ± 7
SURFACE QUALITY	60-40
WAVELENGTH	UV
BEVEL	PROTECTIVE AS NEEDED

EO® Edmund Optics®

THIRD ANGLE
PROJECTION



TITLE

Hoya UV36N (360nm), 12.5mm Dia., 2.5mm
Thick, Colored Glass Longpass Filter

ALL DIMS IN

mm

DWG NO

18824

SHEET
1 OF 1