

NOTES:

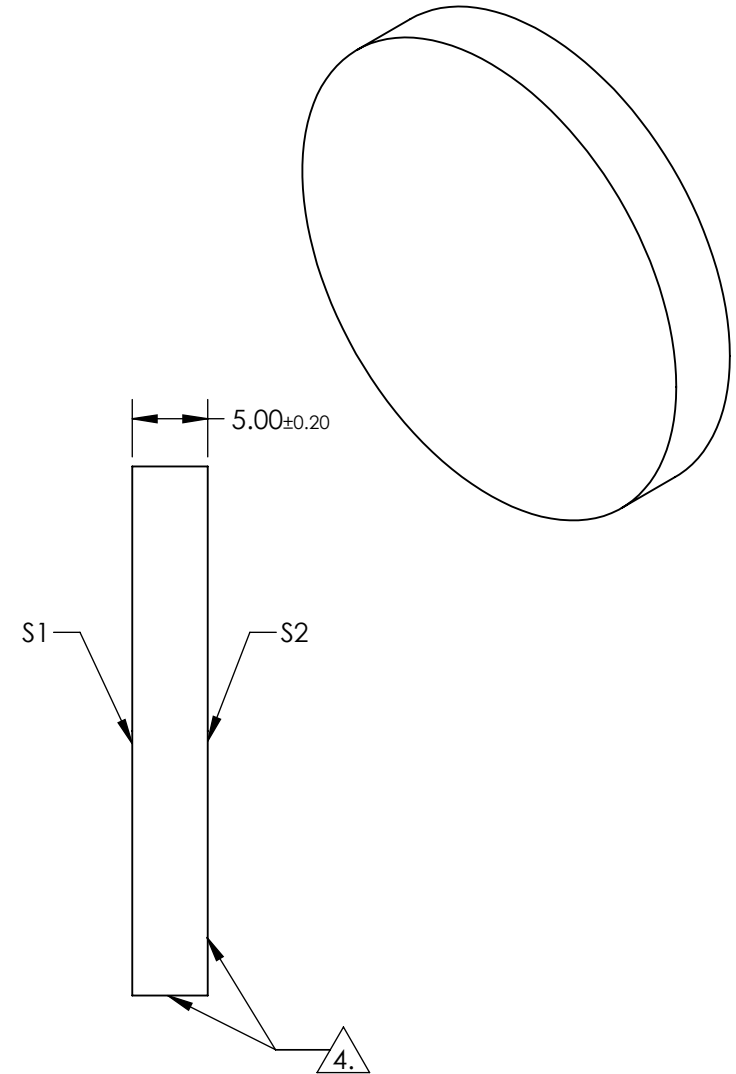
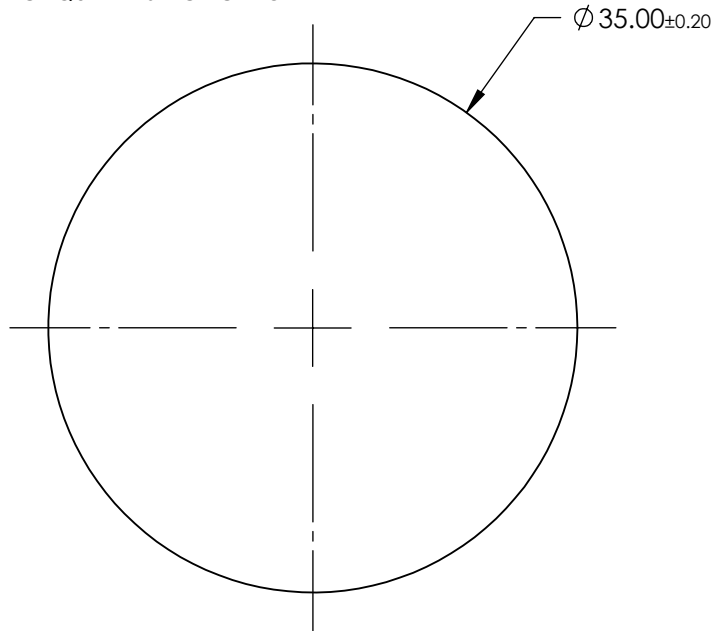
1. SUBSTRATE: FUSED SILICA
2. SURFACE S2 TO BE PARALLEL WITH SURFACE S1 TO WITHIN <30 ARCSEC
3. COATING (APPLY ACROSS CLEAR APERTURE)

S1:R(AVG) ≥78% @ 120 - 125nm
 R(AVG) ≥85% @ 120 - 600nm
 S2: COMMERCIAL POLISH

△ S2 & EDGES FINE GRIND SURFACE

5. POWER, IRREGULARITY, AND SURFACE QUALITY SPECIFICATION APPLY ACROSS CLEAR APERTURE

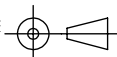
6. ROHS COMPLIANT




**FOR INFORMATION ONLY:
 DO NOT MANUFACTURE
 PARTS TO THIS DRAWING**

SPECIFICATIONS SUBJECT TO CHANGE WITHOUT NOTICE
 DIMENSIONS ARE FOR REFERENCE ONLY

	S1	S2
SHAPE	PLANO	PLANO
SURFACE QUALITY	20-10	N/A
SURFACE FLATNESS	λ/10	N/A
COATING TYPE	METAL	N/A
COATING	ENHANCED ALUMINUM (120-600nm)	N/A
BEVEL	PROTECTED AS NEEDED	PROTECTED AS NEEDED

THIRD ANGLE PROJECTION 

ALL DIMS IN mm

 Edmund Optics®	
TITLE	35mm Dia., Vacuum UV (VUV) Mirror
DWG NO	18730
SHEET 1 OF 1	