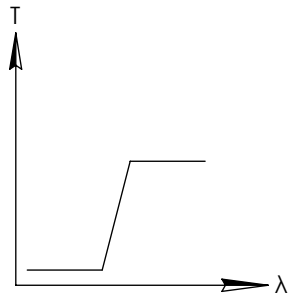
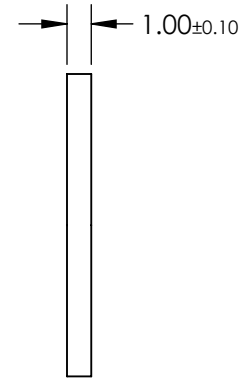
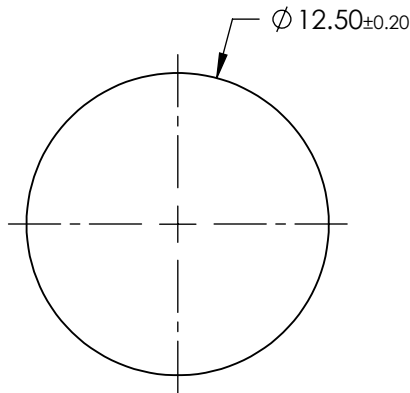
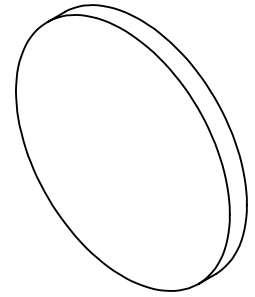


NOTES:

1. SUBSTRATE: SCHOTT RG695
2. SURFACE S2 TO BE PARALLEL TO SURFACE S1 TO WITHIN 3 ARCMIN

**FOR INFORMATION ONLY:
DO NOT MANUFACTURE
PARTS TO THIS DRAWING**



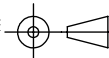
LONGPASS FILTER

SPECIFICATIONS SUBJECT TO CHANGE WITHOUT NOTICE
DIMENSIONS ARE FOR REFERENCE ONLY

| REV. A | VALUE |
|-----------------------------------|----------------------|
| SHAPE | PLANO |
| SPECTRAL TRANSMITTANCE $t_p(\%)$ | 96 |
| PASSBAND LIMIT λ_p1 (nm) | 780 |
| CUT-OFF POSITION λ_c (nm) | 695±6 |
| STOPBAND LIMIT λ_s (nm) | 610 |
| WAVELENGTH | VIS |
| BEVEL | PROTECTIVE AS NEEDED |



THIRD ANGLE
PROJECTION



TITLE

SCHOTT RG695, 12.5mm DIA., 1mm THICK,
COLORED GLASS LONGPASS FILTER

ALL DIMS IN

mm

DWG NO

16423

SHEET
1 OF 1