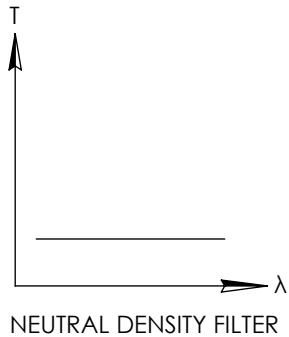
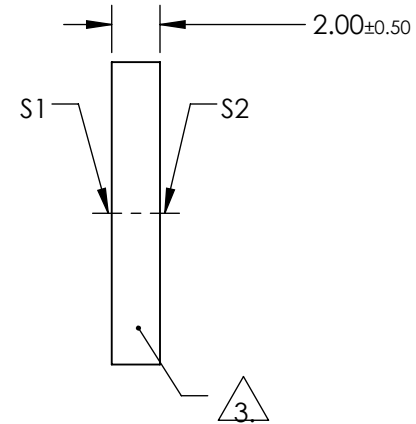
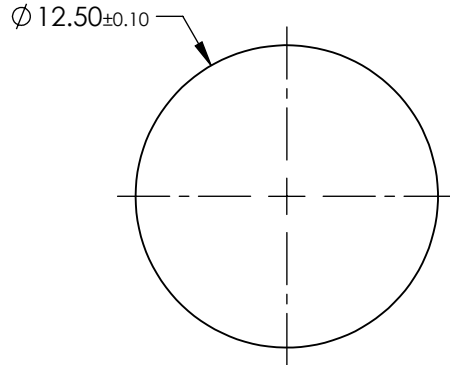
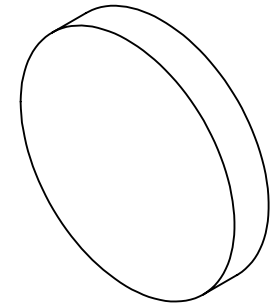


NOTES:

1. SUBSTRATE:  
HOYA GLASS: ND-25
2. SURFACE S2 TO BE PARALLEL WITH SURFACE S1 TO WITHIN <0.02 mm
3. FINE GRIND SURFACE
4. COATING SPECIFICATION:  
S1 & S2:R(AVG) ≤0.4% @ 425 - 675nm
5. OPTICAL DENSITY: 0.5 ± 0.03 AVERAGE FROM 400-700nm
6. TRANSMISSION (%): 32.0% AVERAGE FROM 400-700nm
7. ROHS COMPLIANT

**FOR INFORMATION ONLY:  
DO NOT MANUFACTURE  
PARTS TO THIS DRAWING**



SPECIFICATIONS SUBJECT TO CHANGE WITHOUT NOTICE  
DIMENSIONS ARE FOR REFERENCE ONLY

**EO**® Edmund Optics®

	S1	S2	THIRD ANGLE PROJECTION		TITLE	0.5 OD, 12.5mm DIA., VIS 0° COATED, ABSORPTIVE ND FILTER	
SHAPE	PLANO	PLANO	ALL DIMS IN	mm	DWG NO	13083	SHEET 1 OF 1
SURFACE QUALITY	80-50	80-50					
BEVEL	PROTECTIVE AS NEEDED	PROTECTIVE AS NEEDED					