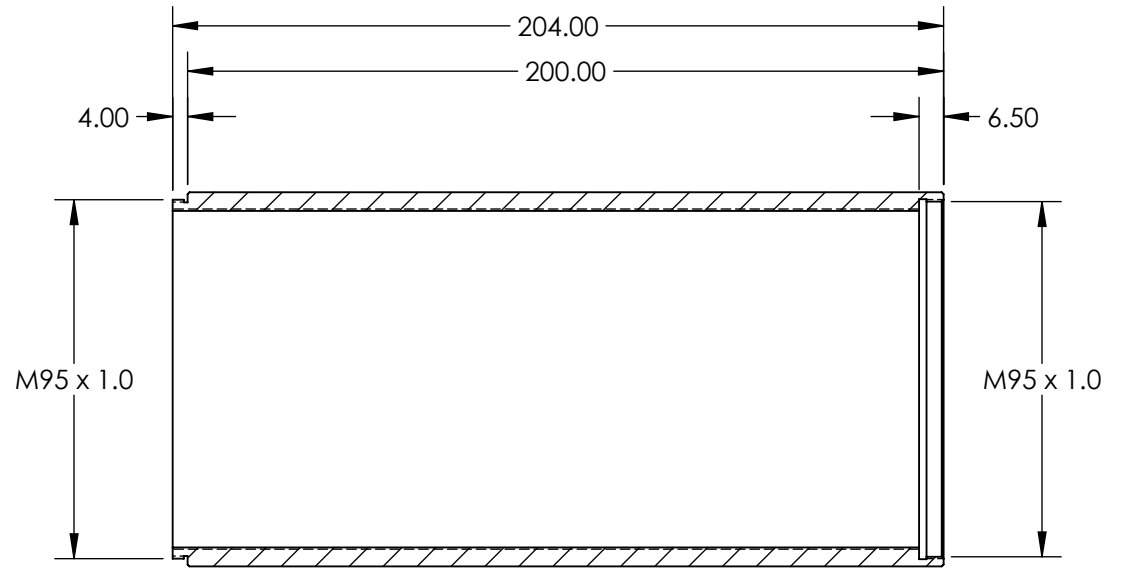
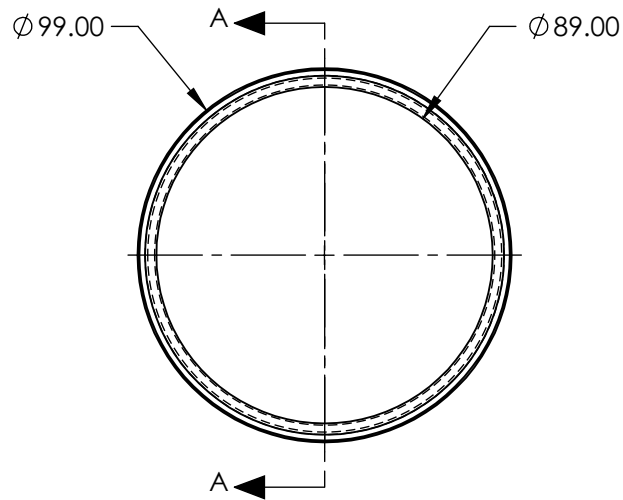


NOTES:

1. MATERIAL: BLACK ANODIZED ALUMINUM
2. RoHS: COMPLIANT

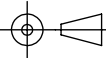


SECTION A-A

SPECIFICATIONS SUBJECT TO CHANGE WITHOUT NOTICE
 DIMENSIONS ARE FOR REFERENCE ONLY

EO[®] Edmund Optics[®]

**FOR INFORMATION ONLY:
 DO NOT MANUFACTURE
 PARTS TO THIS DRAWING**

THIRD ANGLE PROJECTION 		TITLE	200mm M95 x 1mm EXTENSION TUBE	
ALL DIMS IN	mm	DWG NO	13972	SHEET 1 OF 1