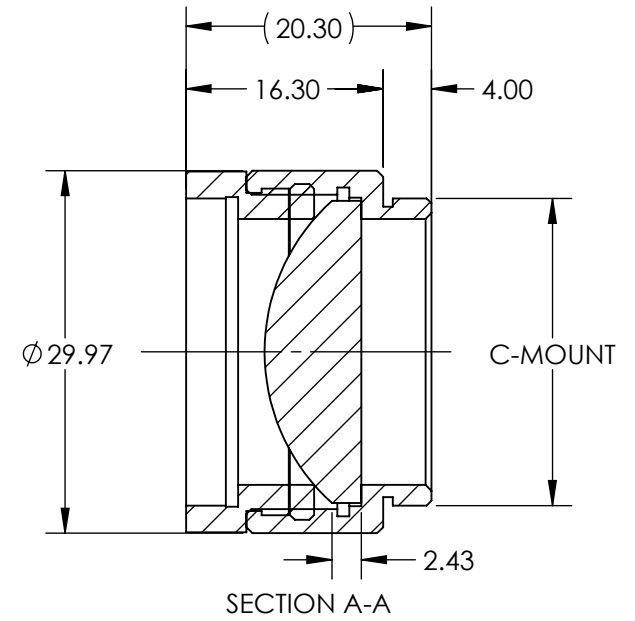
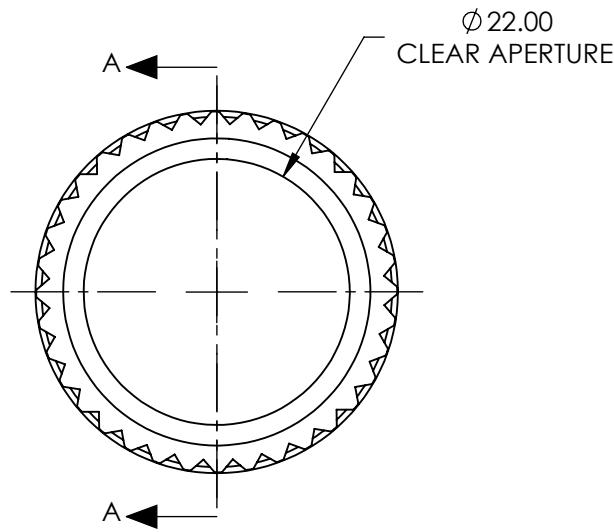


NOTES:

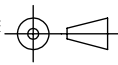
1. SUBSTRATE:
N-SF5
2. ROHS COMPLIANT
3. COATING (APPLY ACROSS COATING APERTURE)
S1 & S2: MgF2 (400-700nm)
R(AVG) ≤ 1.75% @ 400 - 700nm
4. FOCAL LENGTH (EFL): 25.00 ± 1 %
FOCAL LENGTH (BFL) FROM MECHANICAL HOUSING: 14.42
5. LENS INCLUDED: #45-098
MOUNT INCLUDED: #56-353

**FOR INFORMATION ONLY:
DO NOT MANUFACTURE
PARTS TO THIS DRAWING**



SPECIFICATIONS SUBJECT TO CHANGE WITHOUT NOTICE
DIMENSIONS ARE FOR REFERENCE ONLY

	S1	S2
SHAPE	CONVEX	PLANO
RADIUS	16.82	INFINITY
SURFACE QUALITY	40-20	40-20
POWER AT 632.8nm	1.5λ	1.5λ
IRREGULARITY AT 632.8nm	λ/4	λ/4

THIRD ANGLE PROJECTION 

ALL DIMS IN mm

EO® Edmund Optics®

TITLE: 22mm CA, 25mm FL, Mounted MgF2 Coated Plano-Convex Lens

DWG NO: 12994

SHEET 1 OF 1