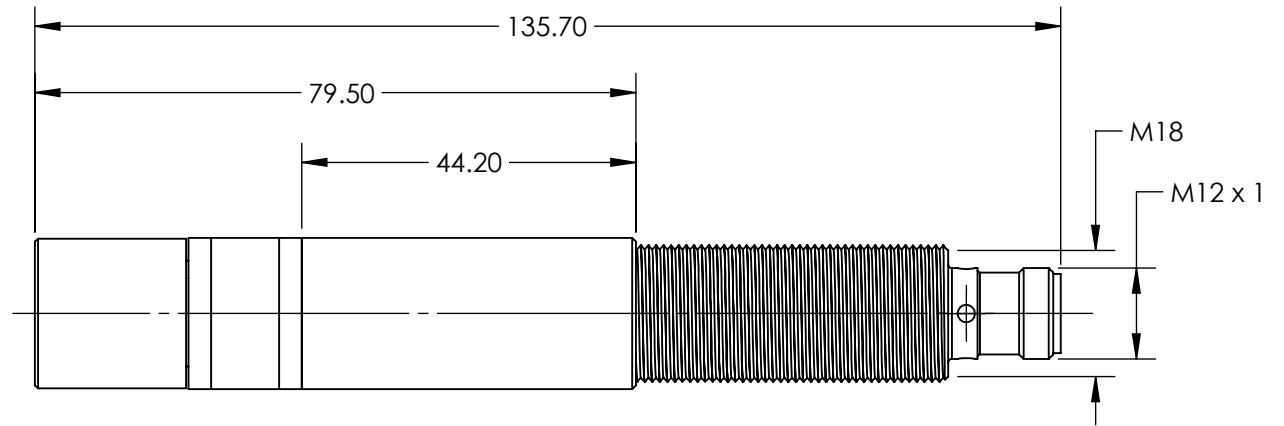
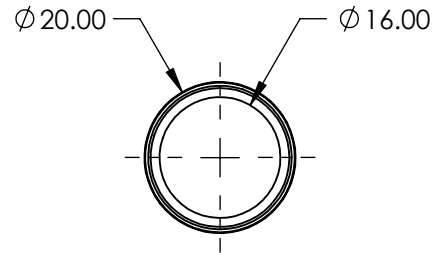


NOTES:

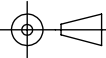
1. RoHS: COMPLIANT



SPECIFICATIONS SUBJECT TO CHANGE WITHOUT NOTICE
 DIMENSIONS ARE FOR REFERENCE ONLY

**FOR INFORMATION ONLY:
 DO NOT MANUFACTURE
 PARTS TO THIS DRAWING**

EO[®] Edmund Optics[®]

THIRD ANGLE PROJECTION 		TITLE	20mW, 30° Gaussian Line, Harsh Environment Green Diode	
ALL DIMS IN	mm	DWG NO	64828	SHEET 1 OF 1