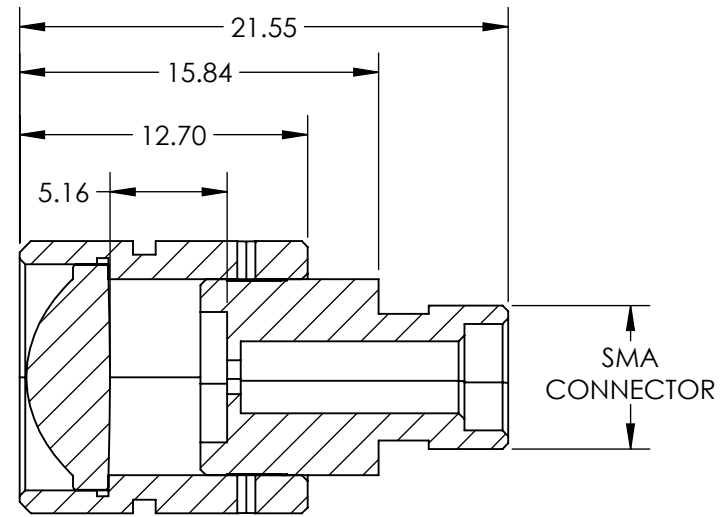
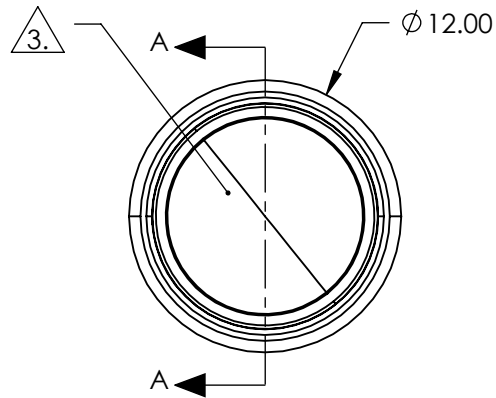
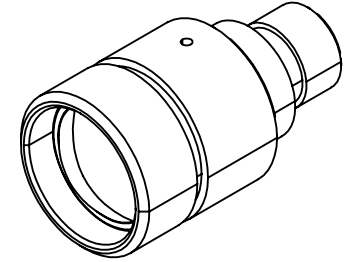


NOTES:

1. MATERIAL:  
HOUSING: STAINLESS STEEL  
LENS: ECO 550
2. COATING (APPLY ACROSS CLEAR APERTURE)  
R(AVG) <0.4% @ 1050 - 1600nm
3. CLEAR APERTURE: 8.00 mm
4. RoHS: COMPLIANT

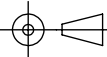


SECTION A-A

SPECIFICATIONS SUBJECT TO CHANGE WITHOUT NOTICE  
DIMENSIONS ARE FOR REFERENCE ONLY

**EO**® Edmund Optics®

**FOR INFORMATION ONLY:  
DO NOT MANUFACTURE  
PARTS TO THIS DRAWING**

THIRD ANGLE PROJECTION 		TITLE	1310nm Alignment, 0.50 NA Fiber Collimator w/ SMA Connector	
ALL DIMS IN	mm	DWG NO	64784	SHEET 1 OF 1