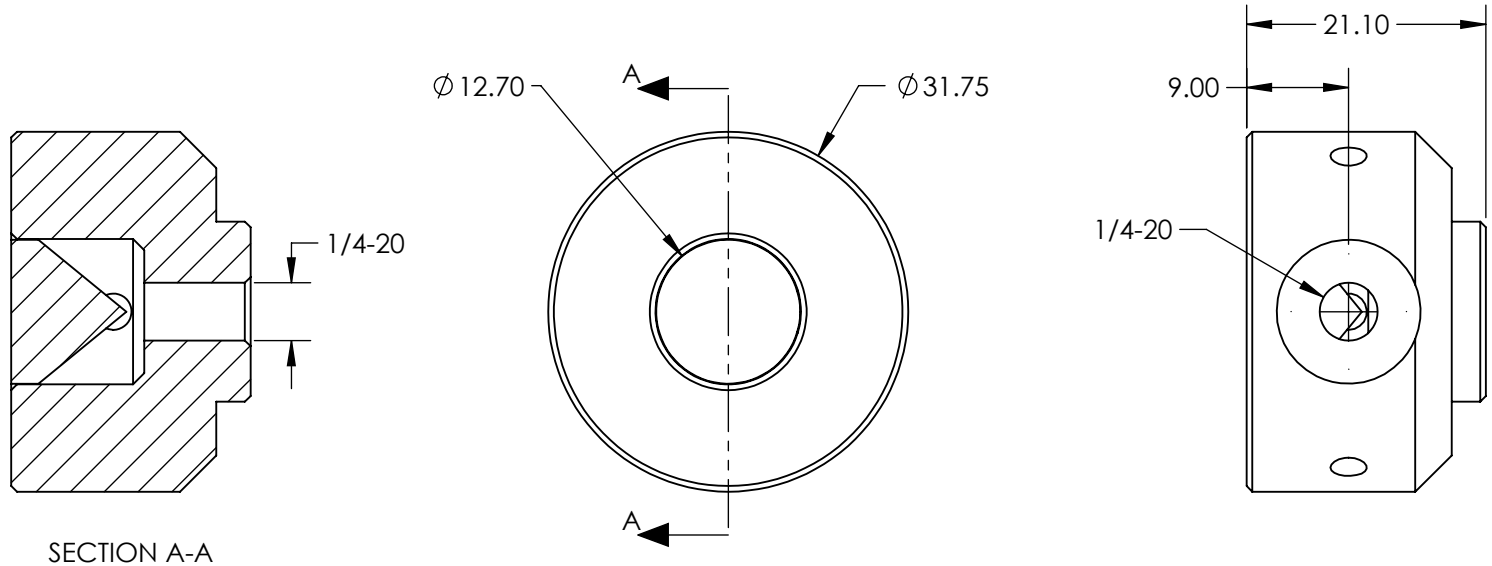


NOTES:

1. MATERIAL:  
HOUSING: BLACK ANODIZED ALUMINUM  
CORNER CUBE: N-BK7
2. COATING SPECIFICATION (APPLY ACROSS CLEAR APERTURE)  
REFLECTIVE SURFACES: R(AVG) > 98% @ 500 - 800nm  
R(AVG) > 98% @ 2 - 10µm WITH BLACK OVERPAINT  
ENTRANCE: R(ABS) ≤ 1.5% FROM 750 - 800nm @ 0° AOI  
R(ABS) ≤ 1.0% FROM 800 - 1550nm @ 0° AOI  
R(ABS) ≤ 0.7% FROM 750 - 1550nm @ 0° AOI
3. RoHS: COMPLIANT



SPECIFICATIONS SUBJECT TO CHANGE WITHOUT NOTICE  
DIMENSIONS ARE FOR REFERENCE ONLY

**FOR INFORMATION ONLY:  
DO NOT MANUFACTURE  
PARTS TO THIS DRAWING**

**EO**® Edmund Optics®

THIRD ANGLE PROJECTION		TITLE	12.7mm SILVER AND NIR II COATED, MOUNTED CORNER CUBE RETROREFLECTOR	
ALL DIMS IN	mm	DWG NO	12671	SHEET 1 OF 1