
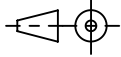
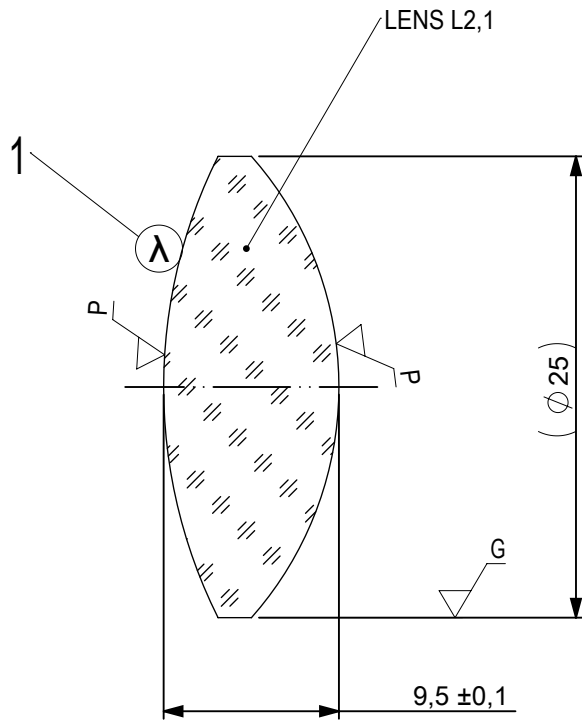


FOCAL LENGTH (EFL):  $40 \pm 0,4$   
 BACK FOCAL LENGTH (BFL): 33,26

| SURFACE A                    | SURFACE B   | SURFACE C   |
|------------------------------|-------------|-------------|
| $\phi_e 24$                  | $\phi_e 24$ | $\phi_e 24$ |
| CEMENT: NOA 61 OR EQUIVALENT |             |             |

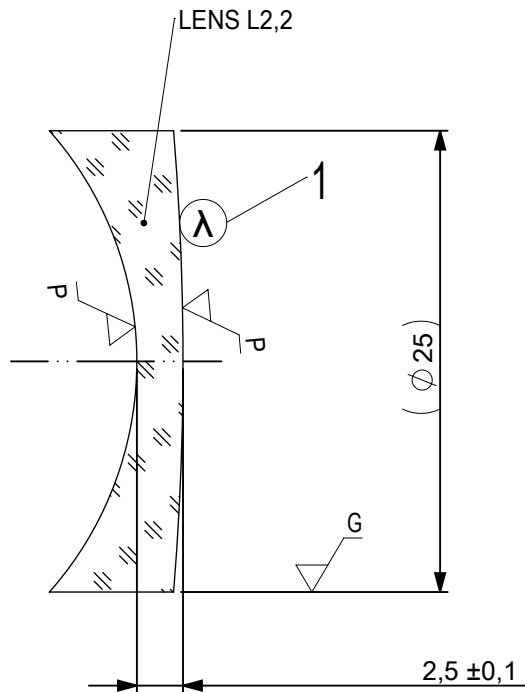
|  |  |   |  |  |                         |                 |
|--|--|---|--|--|-------------------------|-----------------|
| PROTECTIVE CHAMFERS AS NEEDED  |  | FIRST ANGLE PROJECTION  |  <b>Edmund Optics<sup>®</sup></b> |  |                         |                 |
| ROHS: COMPLIANT  | SCALE: NONE $\lambda = 587,6\text{nm}$ |   |  |  |                         |                 |
| SPECIFICATIONS SUBJECT TO CHANGE WITHOUT NOTICE. DIMENSIONS ARE FOR REFERENCE ONLY |  |  | TITLE  | 25mm Dia, x 40mm FL, VIS-NIR Coated, Achromatic Lens |                         |                 |
| FOR INFORMATION ONLY: DO NOT MANUFACTURE PARTS TO THIS DRAWING                     |  |   | ALL DIMS IN:   | mm   | DWG NO                  |                 |
| INDICATIONS IN ACCORDANCE WITH ISO 10110   |  |   |  | 49354  | SHEET SIZE<br><b>A4</b> | SHEET<br>1 OF 3 |



- 1 AR COATING: VIS-NIR  
 R(ABS) ≤ 0,25% AT 880nm @ 0° AOI  
 R(AVG) ≤ 1,25% FROM 400-870nm @ 0° AOI  
 R(AVG) ≤ 1,25% FROM 890-1000nm @ 0° AOI


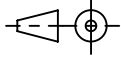
| LEFT SURFACE  | MATERIAL              | RIGHT SURFACE   |
|---|-----------------------|---|
| R 27,97±0,028 CX<br>Øe 24<br>3/ 3 (0,5) λ=632,8 nm<br>4/ -<br>5/ 40 - 20 (MIL-PRF-13830B)<br>6/ - | GLASS S-BAH11 667/483 | R 18,85±0,019 CX<br>Øe 24<br>3/ 3 (0,5) λ=632,8 nm<br>4/ -<br>5/ 40 - 20 (MIL-PRF-13830B)<br>6/ - |

|  |                         |                        |                       |  |               |              |
|--|-------------------------|------------------------|-----------------------|--|---------------|--------------|
| PROTECTIVE CHAMFERS AS NEEDED  |                         | FIRST ANGLE PROJECTION | <b>Edmund Optics®</b> |  |               |              |
| ROHS: COMPLIANT  | SCALE: NONE λ = 587,6nm |                        |                       |  |               |              |
| SPECIFICATIONS SUBJECT TO CHANGE WITHOUT NOTICE. DIMENSIONS ARE FOR REFERENCE ONLY |                         |                        | TITLE                 | 25mm Dia, x 40mm FL, VIS-NIR Coated, Achromatic Lens |               |              |
| FOR INFORMATION ONLY: DO NOT MANUFACTURE PARTS TO THIS DRAWING                     |                         |                        | ALL DIMS IN:          | mm   | DWG NO        |              |
| INDICATIONS IN ACCORDANCE WITH ISO 10110   |                         |                        |                       | 49354  | SHEET SIZE A4 | SHEET 2 OF 3 |



- 1 AR COATING: VIS-NIR  
 R(ABS) ≤ 0,25% AT 880nm @ 0° AOI  
 R(AVG) ≤ 1,25% FROM 400-870nm @ 0° AOI  
 R(AVG) ≤ 1,25% FROM 890-1000nm @ 0° AOI

| LEFT SURFACE  | MATERIAL             | RIGHT SURFACE  |
|---|----------------------|--|
| R 18,85±0,019 CV<br>Øe 24<br>3/ 3 (0,5) λ=632,8 nm<br>4/ -<br>5/ 40 - 20 (MIL-PRF-13830B)<br>6/ - | GLASS N-SF10 728/284 | R 152,94±0,153 CX<br>Øe 24<br>3/ 3 (0,5) λ=632,8 nm<br>4/ -<br>5/ 40 - 20 (MIL-PRF-13830B)<br>6/ - |

|  |                         |   |   |  |        |       |        |
|--|-------------------------|---|---|--|--------|-------|--------|
| PROTECTIVE CHAMFERS AS NEEDED  |                         | FIRST ANGLE PROJECTION  |  <b>Edmund Optics®</b> |  |        |       |        |
| ROHS: COMPLIANT  | SCALE: NONE λ = 587,6nm |   |   |  |        |       |        |
| SPECIFICATIONS SUBJECT TO CHANGE WITHOUT NOTICE. DIMENSIONS ARE FOR REFERENCE ONLY |                         |  | TITLE   | 25mm Dia, x 40mm FL, VIS-NIR Coated, Achromatic Lens |        |       |        |
| FOR INFORMATION ONLY: DO NOT MANUFACTURE PARTS TO THIS DRAWING                     |                         |   | ALL DIMS IN:  | mm   | DWG NO | 49354 |        |
| INDICATIONS IN ACCORDANCE WITH ISO 10110   |                         |   |   | SHEET SIZE   | A4     | SHEET | 3 OF 3 |