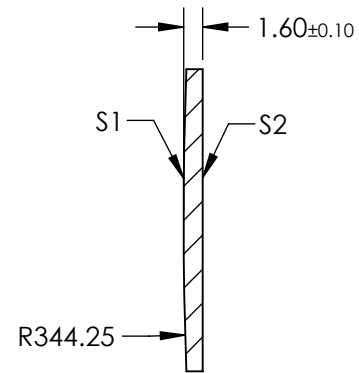
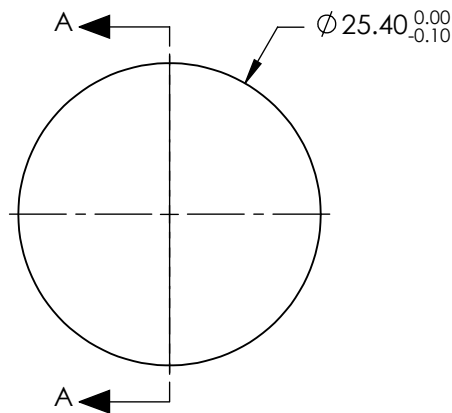


NOTES:

1. SUBSTRATE: IR GRADE FUSED SILICA
2. COATING:
S1 & S2: NONE
3. CENTERING: < 3 ARCMIN
4. RoHS: COMPLIANT


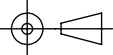
**FOR INFORMATION ONLY:
DO NOT MANUFACTURE
PARTS TO THIS DRAWING**



SECTION A-A

SPECIFICATIONS SUBJECT TO CHANGE WITHOUT NOTICE
DIMENSIONS ARE FOR REFERENCE ONLY

	S1	S2
SHAPE	CONVEX	PLANO
SURFACE QUALITY	20-10	20-10
CLEAR APERTURE	Ø22.86	Ø22.86
BEVEL	PROTECTIVE AS NEEDED	PROTECTIVE AS NEEDED

EFL: 750.87 mm		 Edmund Optics®	
BFL: 749.78 mm			
		TITLE	25.4mm Diameter x 750mm FL, Uncoated, IR Ultrafast Thin PCX Lens
ALL DIMS IN	mm	DWG NO	11707
			SHEET 1 OF 1