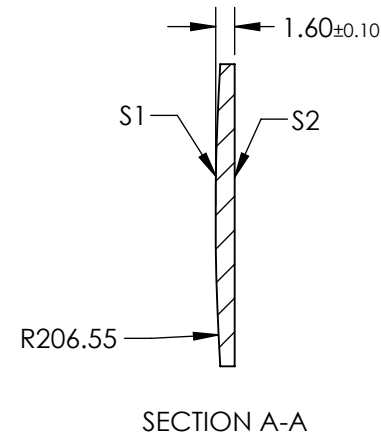
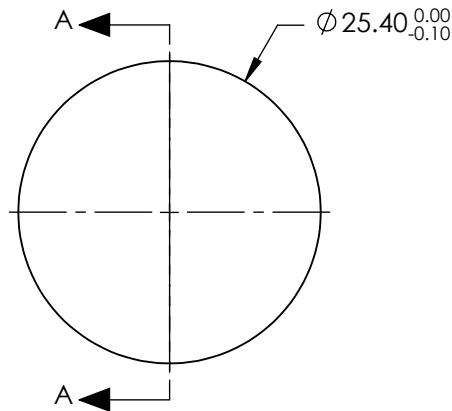


NOTES:


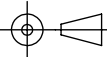
1. SUBSTRATE: IR GRADE FUSED SILICA
2. COATING:  
S1 & S2: NONE
3. CENTERING: < 3 ARCMIN
4. RoHS: COMPLIANT

**FOR INFORMATION ONLY:  
DO NOT MANUFACTURE  
PARTS TO THIS DRAWING**



SPECIFICATIONS SUBJECT TO CHANGE WITHOUT NOTICE  
DIMENSIONS ARE FOR REFERENCE ONLY

	S1	S2
SHAPE	CONVEX	PLANO
SURFACE QUALITY	20-10	20-10
CLEAR APERTURE	$\varnothing 22.86$	$\varnothing 22.86$
BEVEL	PROTECTIVE AS NEEDED	PROTECTIVE AS NEEDED

EFL: 450.52 mm		 <b>Edmund Optics®</b>		
BFL: 449.43 mm				
		TITLE	25.4mm Diameter x 450mm FL, Uncoated, IR Ultrafast Thin PCX Lens	
ALL DIMS IN	mm	DWG NO	11705	SHEET 1 OF 1