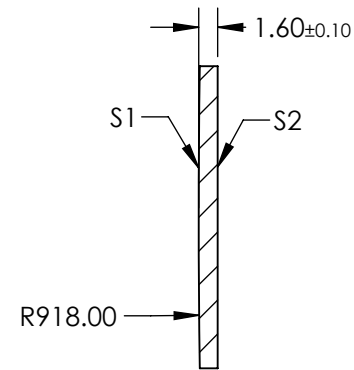
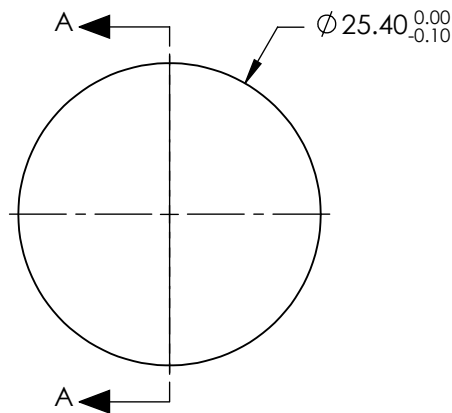


NOTES:

1. SUBSTRATE: FUSED SILICA
2. COATING:  
S1 & S2: R(ABS) <0.5% @ 370 - 550nm
3. CENTERING: < 3 ARCMIN
4. RoHS: COMPLIANT


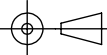
FOR INFORMATION ONLY:  
DO NOT MANUFACTURE  
PARTS TO THIS DRAWING



SECTION A-A

SPECIFICATIONS SUBJECT TO CHANGE WITHOUT NOTICE  
DIMENSIONS ARE FOR REFERENCE ONLY

|                 | S1                   | S2                   |
|-----------------|----------------------|----------------------|
| SHAPE           | CONVEX               | PLANO                |
| SURFACE QUALITY | 20-10                | 20-10                |
| CLEAR APERTURE  | $\varnothing 22.86$  | $\varnothing 22.86$  |
| BEVEL           | PROTECTIVE AS NEEDED | PROTECTIVE AS NEEDED |

|   |    |   |  |
|---|----|---|--|
| EFL: 2002.33mm  |    |  <b>Edmund Optics®</b> |  |
| BFL: 2001.23mm  |    |   |  |
| <br>THIRD ANGLE PROJECTION |    | TITLE   | 25.4mm Diameter x 2000mm FL, 370-550nm Coated, Ultrafast Thin PCX Lens |
| ALL DIMS IN   | mm | DWG NO  | 11689  |
|   |    |   | SHEET<br>1 OF 1  |