

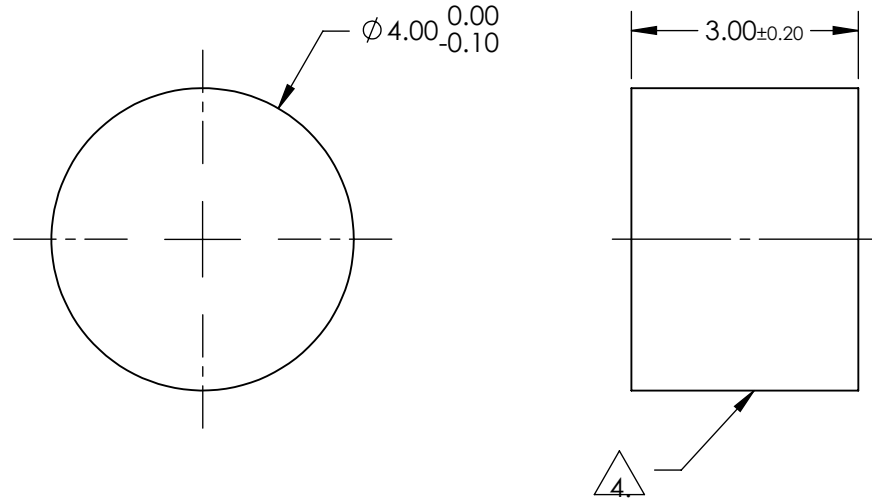
NOTES:

1. SUBSTRATE:
FUSED SILICA
2. SURFACE S2 TO BE PARALLEL TO SURFACE S1 TO WITHIN <3 ARCMIN
3. COATING (APPLY ACROSS COATING APERTURE)
S1: NONE

S2: NONE

4. FINE GROUND SURFACE

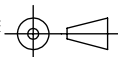
5. POWER, IRREGULARITY, SURFACE QUALITY, AND COATING SPECIFICATIONS
APPLY ACROSS CLEAR APERTURE
6. ROHS COMPLIANT



**FOR INFORMATION ONLY:
DO NOT MANUFACTURE
PARTS TO THIS DRAWING**

SPECIFICATIONS SUBJECT TO CHANGE WITHOUT NOTICE
DIMENSIONS ARE FOR REFERENCE ONLY

| | S1 | S2 |
|------------------|----------------------|----------------------|
| SHAPE | PLANO | PLANO |
| SURFACE FLATNESS | 0.10 WAVE | N/A |
| SURFACE QUALITY | 10-5 | COMMERCIAL POLISH |
| CLEAR APERTURE | 90% | N/A |
| BEVEL | PROTECTIVE AS NEEDED | PROTECTIVE AS NEEDED |

THIRD ANGLE PROJECTION 

ALL DIMS IN mm

EO® **Edmund Optics**®

| | | |
|--------|------------------------------------------------|--------------|
| TITLE | 4mm Dia. x 3mm Uncoated Laser Mirror Substrate | |
| DWG NO | 12681 | SHEET 1 OF 1 |