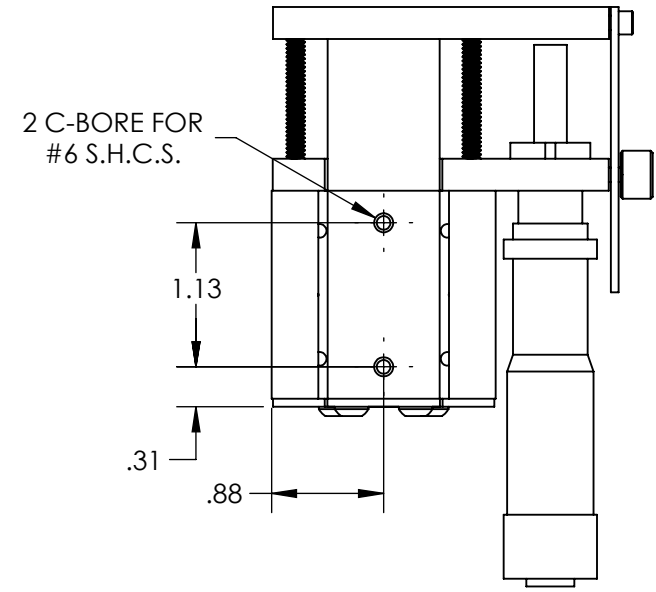
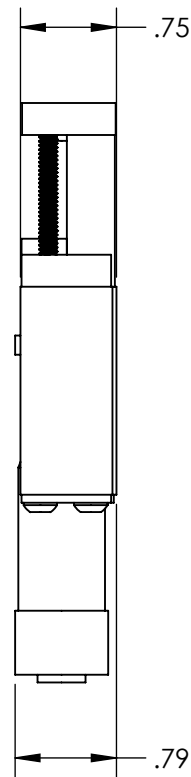
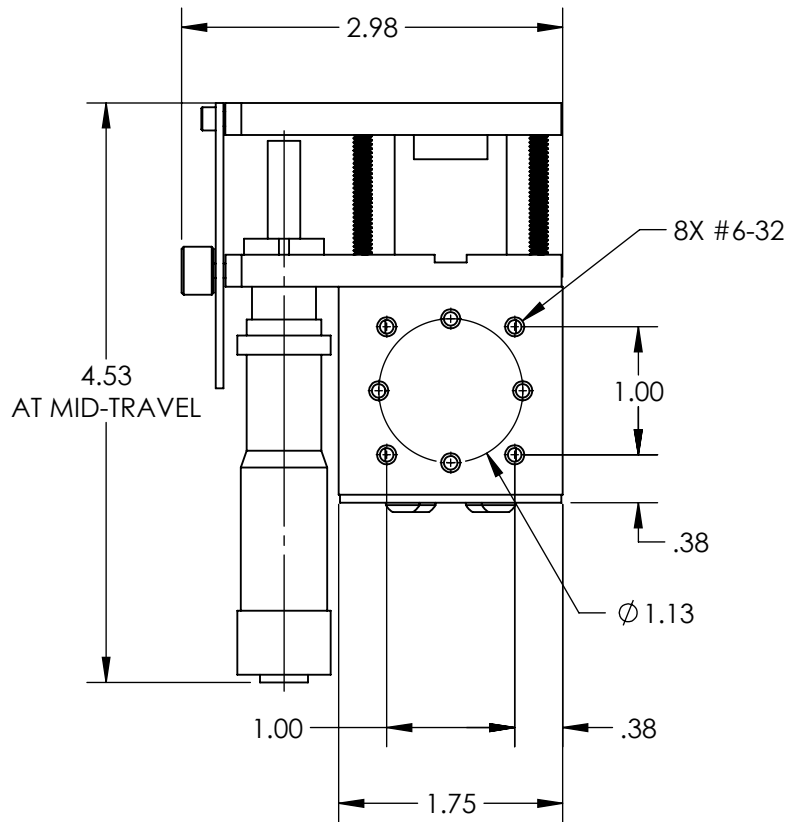


NOTES:

1. MATERIAL: STAINLESS STEEL AND BLACK ANODIZED ALUMINUM
2. MAX TRAVEL DISTANCE: 1in
3. RoHS: EXEMPT



SPECIFICATIONS SUBJECT TO CHANGE WITHOUT NOTICE  
DIMENSIONS ARE FOR REFERENCE ONLY

**FOR INFORMATION ONLY:  
DO NOT MANUFACTURE  
PARTS TO THIS DRAWING**

**EO**® Edmund Optics®

THIRD ANGLE PROJECTION		TITLE	1" TRAVEL, ENG MICROMETER, SOLID-TOP BALL BEARING STAGE	
ALL DIMS IN	in	DWG NO	37955	SHEET 1 OF 1