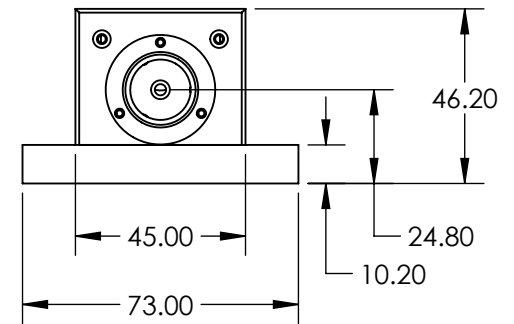
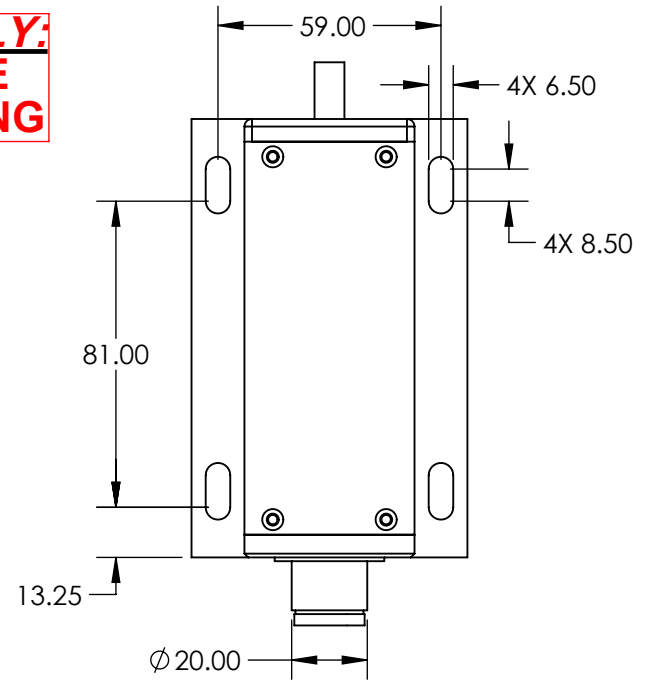
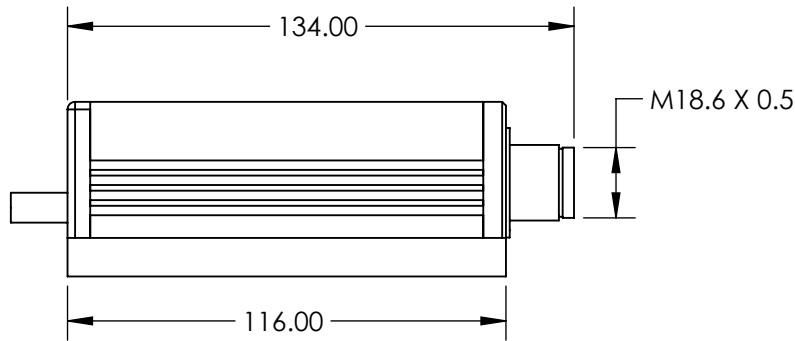


NOTES:

- 1. RoHS: COMPLIANT

**FOR INFORMATION ONLY:  
DO NOT MANUFACTURE  
PARTS TO THIS DRAWING**



	VALUE
BEAM DIVERGENCE (mrad)	<1.50
COLOR	GREEN
OUTPUT POWER (mW)	50.00
POINTING STABILITY AFTER WARM UP (mrad/°C)	<0.05
POLARIZATION	>100:1
POWER STABILITY (%)	<2% RMS OVER 4 HOURS
WAVELENGTH (nm)	532
MODE QUALITY, M2	<1.20
MODULATION FREQUENCY (kHz)	1-10
BEAM DIAMETER (mm)	1.20

SPECIFICATIONS SUBJECT TO CHANGE WITHOUT NOTICE  
DIMENSIONS ARE FOR REFERENCE ONLY

**EO**® Edmund Optics®



ALL DIMS IN

mm

TITLE

532nm 50mW LOW COST TURNKEY LASER

DWG NO

35072

SHEET  
1 OF 1