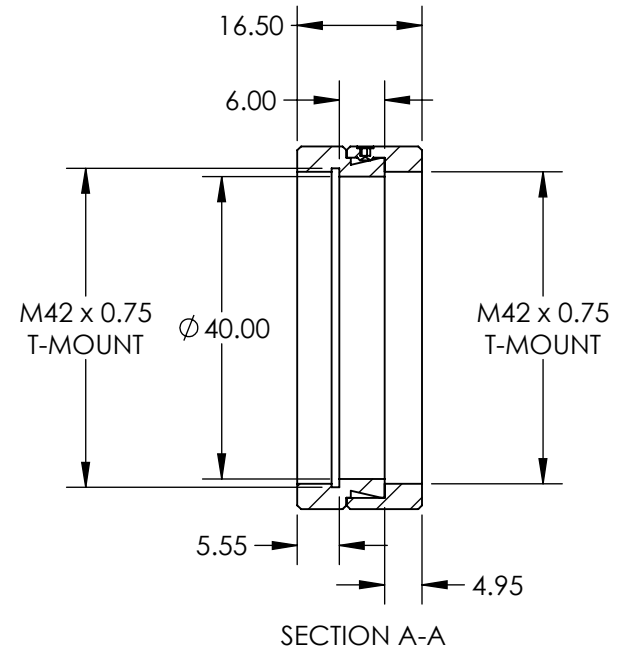
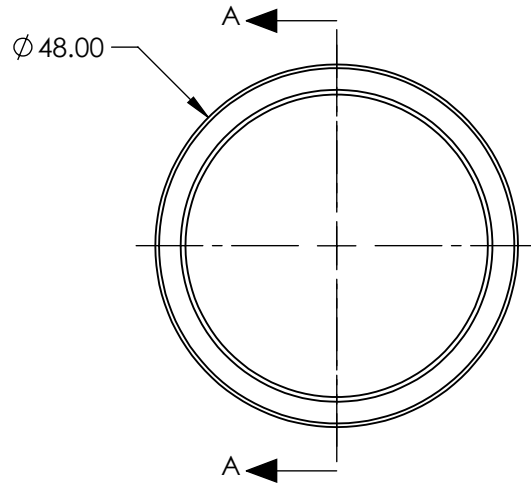
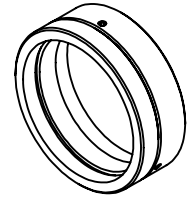


NOTES:

1. MATERIAL: BLACK ANODIZED ALUMINUM
2. RoHS: COMPLIANT



SPECIFICATIONS SUBJECT TO CHANGE WITHOUT NOTICE
DIMENSIONS ARE FOR REFERENCE ONLY

**FOR INFORMATION ONLY:
DO NOT MANUFACTURE
PARTS TO THIS DRAWING**

EO® Edmund Optics®

THIRD ANGLE PROJECTION		TITLE	T-MOUNT DOUBLE FEMALE ROTATING RING	
ALL DIMS IN	mm	DWG NO	11136	SHEET 1 OF 1