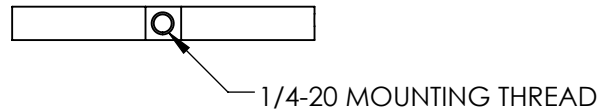
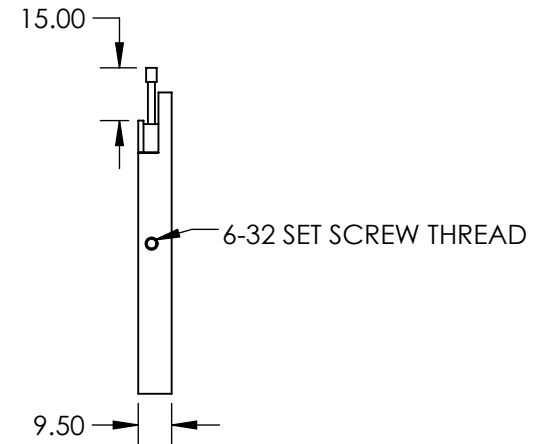
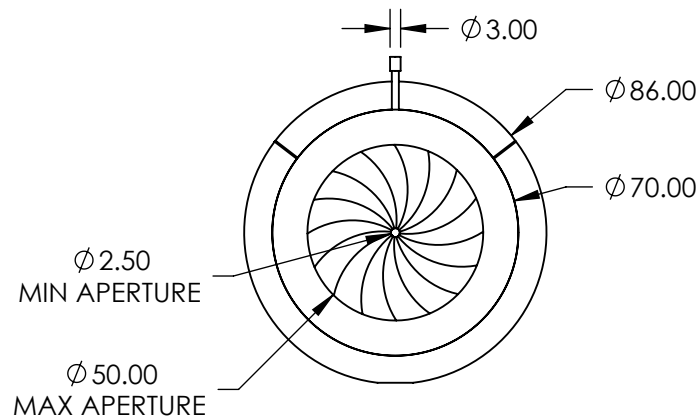
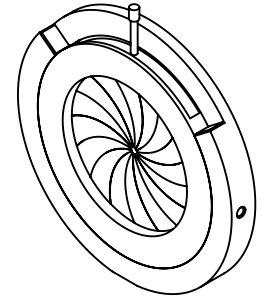


NOTES:

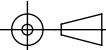
1. CONSTRUCTION:
Blackened Brass Housing, Stainless Steel Leaves, Stainless Steel Pin
Actuators, Black Anodized Aluminum Mount
2. ROHS: NOT COMPLIANT



SPECIFICATIONS SUBJECT TO CHANGE WITHOUT NOTICE
DIMENSIONS ARE FOR REFERENCE ONLY

EO[®] Edmund Optics[®]

**FOR INFORMATION ONLY:
DO NOT MANUFACTURE
PARTS TO THIS DRAWING**

| | | | | |
|--|----|--------|---|--------------|
| THIRD ANGLE PROJECTION  | | TITLE | 86mm OUTER DIAMETER, MOUNTED IRIS DIAPHRAGM | |
| ALL DIMS IN | mm | DWG NO | 53917 | SHEET 1 OF 1 |