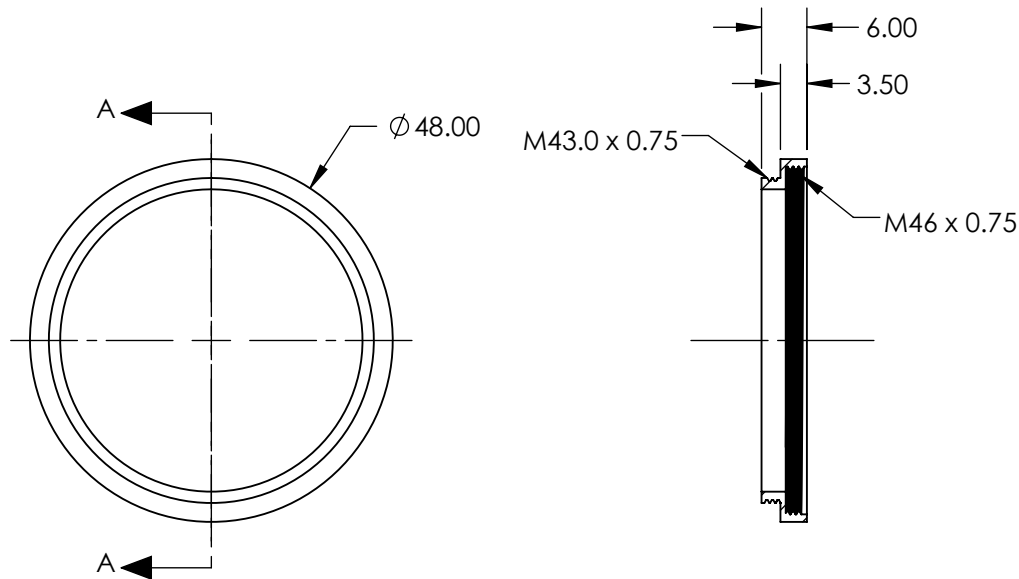
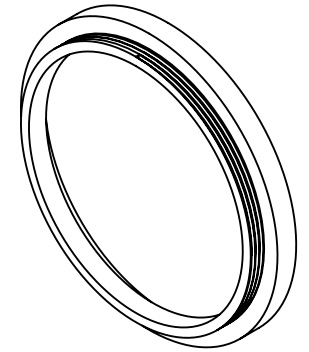


NOTES:

1. ROHS: COMPLIANT



SECTION A-A

SPECIFICATIONS SUBJECT TO CHANGE WITHOUT NOTICE
DIMENSIONS ARE FOR REFERENCE ONLY

**FOR INFORMATION ONLY:
DO NOT MANUFACTURE
PARTS TO THIS DRAWING**

EO® Edmund Optics®

THIRD ANGLE PROJECTION 	TITLE	Step Adapter to M43.0 x 0.75 Filter Thread		
	ALL DIMS IN	mm	DWG NO	66937