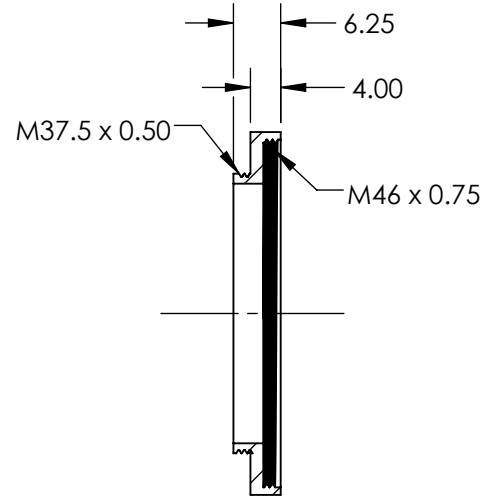
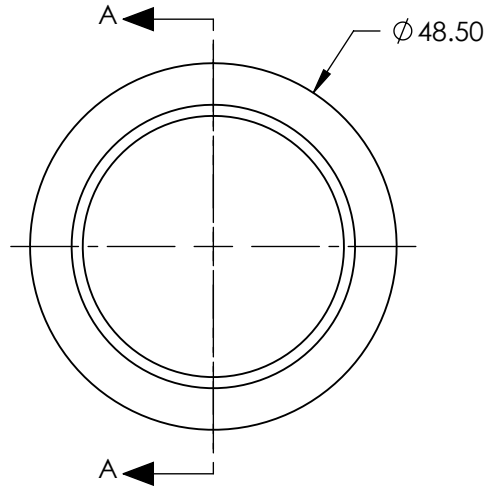
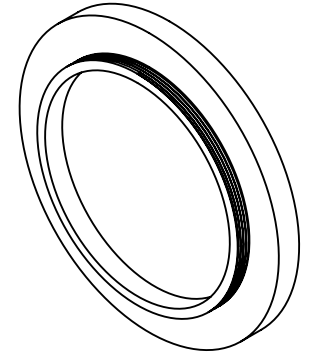


NOTES:

1. ROHS: COMPLIANT

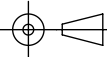


SECTION A-A

SPECIFICATIONS SUBJECT TO CHANGE WITHOUT NOTICE
DIMENSIONS ARE FOR REFERENCE ONLY

**FOR INFORMATION ONLY:
DO NOT MANUFACTURE
PARTS TO THIS DRAWING**

EO® Edmund Optics®

THIRD ANGLE PROJECTION 		TITLE	Step Adapter to M37.5 x 0.50 Filter Thread	
ALL DIMS IN	mm	DWG NO	66934	SHEET 1 OF 1