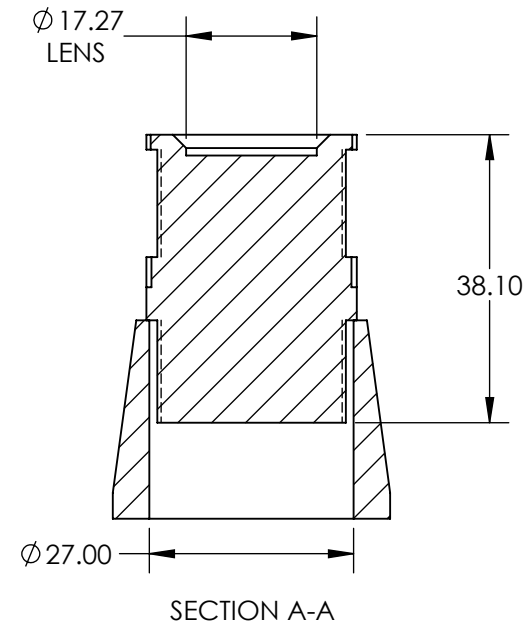
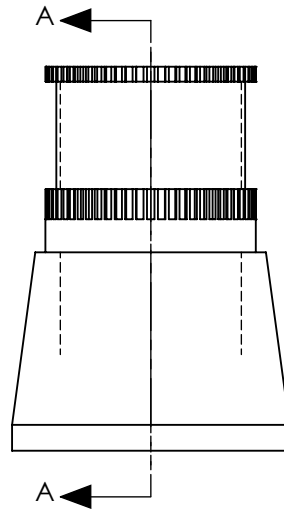
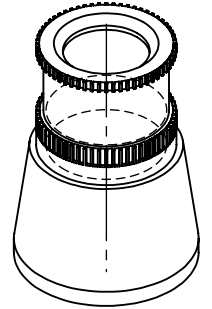


NOTES:

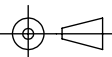
1. TYPE OF OPTICS:  
Kellner-type / AR coated
2. FIELD OF VIEW (in/mm): 0.625in / 15.875mm
3. WEIGHT(g): 40.8g
4. WORKING DISTANCE (in/mm): 0.5in / 12.70mm
5. ROHS: COMPLIANT



SPECIFICATIONS SUBJECT TO CHANGE WITHOUT NOTICE  
DIMENSIONS ARE FOR REFERENCE ONLY

**FOR INFORMATION ONLY:  
DO NOT MANUFACTURE  
PARTS TO THIS DRAWING**

**EO<sup>®</sup> Edmund Optics<sup>®</sup>**

THIRD ANGLE PROJECTION 		TITLE	12X TRANSPARENT BASE MAGNIFIER	
ALL DIMS IN	mm	DWG NO	30055	SHEET 1 OF 1