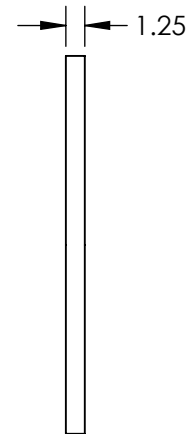
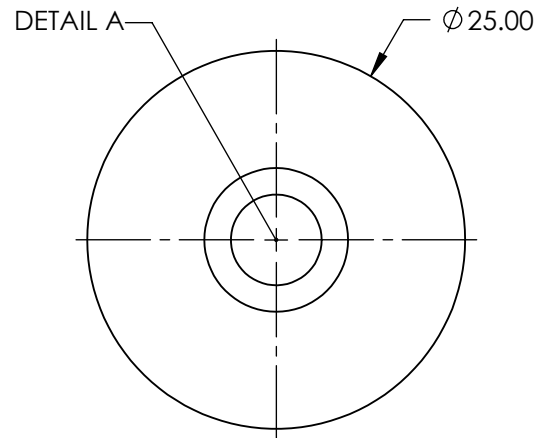
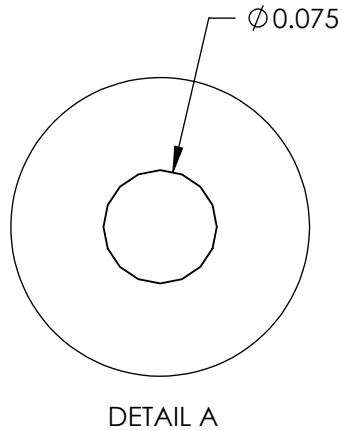
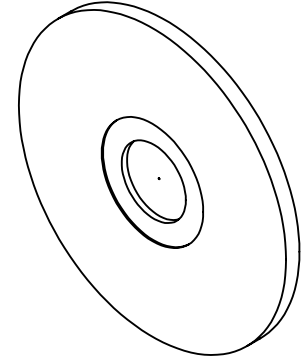


NOTES:

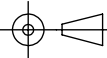
1. MATERIAL: STAINLESS STEEL
2. RoHS: COMPLIANT



SPECIFICATIONS SUBJECT TO CHANGE WITHOUT NOTICE
 DIMENSIONS ARE FOR REFERENCE ONLY

**FOR INFORMATION ONLY:
 DO NOT MANUFACTURE
 PARTS TO THIS DRAWING**

EO[®] Edmund Optics[®]

THIRD ANGLE PROJECTION 		TITLE	75µm APERTURE DIAMETER, MOUNTED, PPRECISION PINHOLE	
ALL DIMS IN	mm	DWG NO	84066	SHEET 1 OF 1