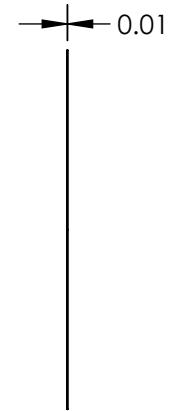
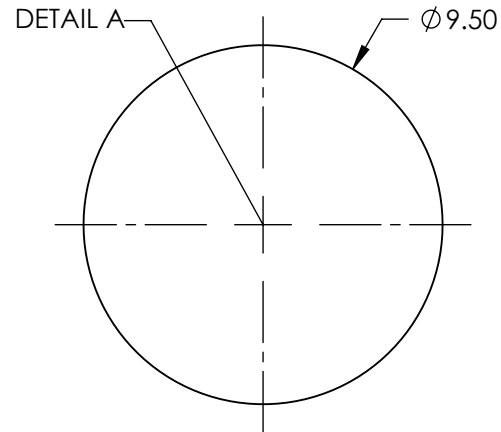
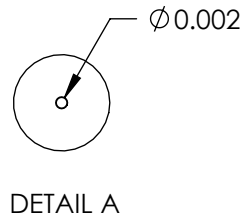
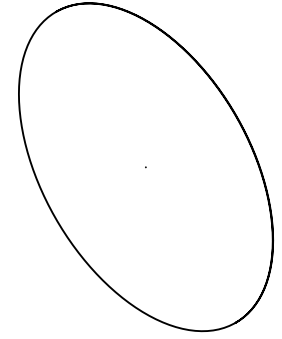


NOTES:

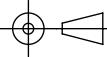
- 1. MATERIAL: STAINLESS STEEL
- 2. RoHS: COMPLIANT



SPECIFICATIONS SUBJECT TO CHANGE WITHOUT NOTICE  
DIMENSIONS ARE FOR REFERENCE ONLY

**EO**<sup>®</sup> Edmund Optics<sup>®</sup>

**FOR INFORMATION ONLY:  
DO NOT MANUFACTURE  
PARTS TO THIS DRAWING**

|  |    |        |  |                 |
|--|----|--------|--|-----------------|
| THIRD ANGLE PROJECTION  |    | TITLE  | 2μm APERTURE DIAMETER, UNMOUNTED,<br>PRECISION PINHOLE |                 |
| ALL DIMS IN  | mm | DWG NO | 38536  | SHEET<br>1 OF 1 |