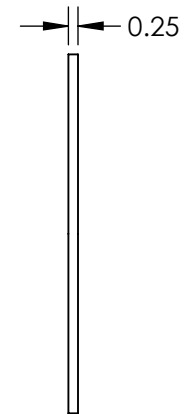
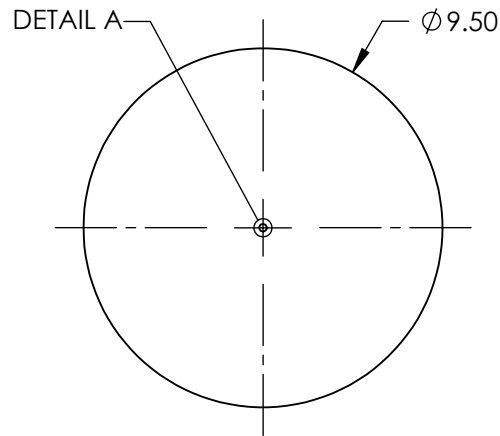
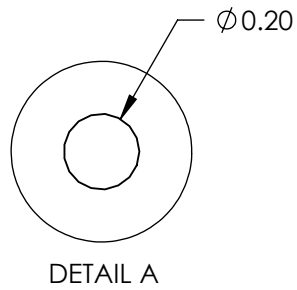
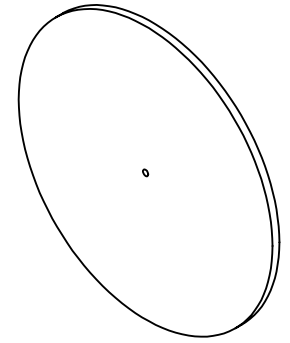


NOTES:

- 1. MATERIAL: CERAMIC
- 2. RoHS: COMPLIANT



SPECIFICATIONS SUBJECT TO CHANGE WITHOUT NOTICE
DIMENSIONS ARE FOR REFERENCE ONLY

**FOR INFORMATION ONLY:
DO NOT MANUFACTURE
PARTS TO THIS DRAWING**

EO® Edmund Optics®

| | | | | |
|------------------------|----|--------|---|--------------|
| THIRD ANGLE PROJECTION | | TITLE | 200µm APERTURE DIAMETER, CERAMIC APERTURE | |
| ALL DIMS IN | mm | DWG NO | 84916 | SHEET 1 OF 1 |