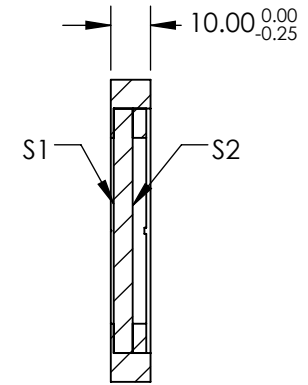
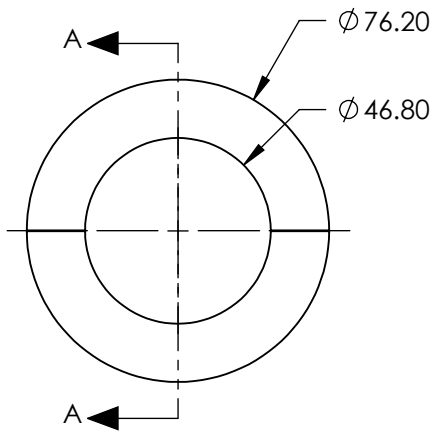
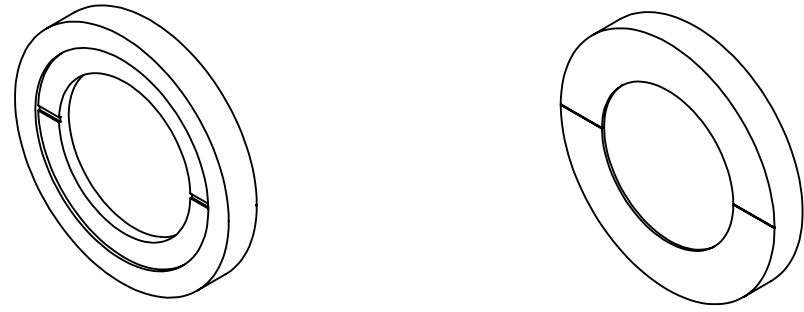


NOTES:

1. SUBSTRATE:
CRYSTAL QUARTZ
2. COATING (APPLY ACROSS CLEAR APERTURE)
S1 & S2: R(ABS) <0.25% @ 1064nm
DAMAGE THRESHOLD: 3.5 J/cm² @ 10ns @ 1064nm
3. SURFACE S1 TO BE PARALLEL TO SURFACE S2 TO WITHIN <0.5 arcsec
4. RETARDANCE: $\lambda/2 \pm \lambda/200$
5. TRANSMITTED WAVEFRONT: $\lambda/10$ FOR CENTRAL 80% OF CLEAR APERTURE
6. RoHS COMPLIANT



SECTION A-A

**FOR INFORMATION ONLY:
DO NOT MANUFACTURE
PARTS TO THIS DRAWING**

SPECIFICATIONS SUBJECT TO CHANGE WITHOUT NOTICE
DIMENSIONS ARE FOR REFERENCE ONLY



	S1	S2
CLEAR APERTURE	$\phi 46.0$	$\phi 46.0$
SURFACE QUALITY	10-5	10-5

THIRD ANGLE PROJECTION	TITLE	76.2mm DIA. 1064nm $\lambda/2$ QUARTZ WAVEPLATE ZERO ORDER	
	ALL DIMS IN	mm	DWG NO
		85067	SHEET 1 OF 1