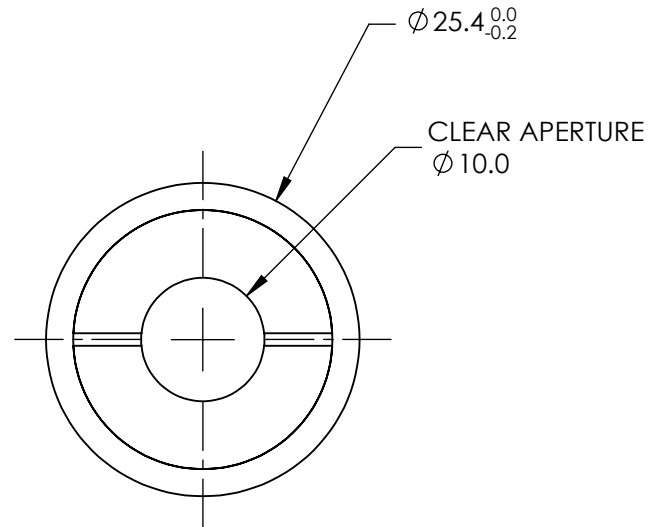
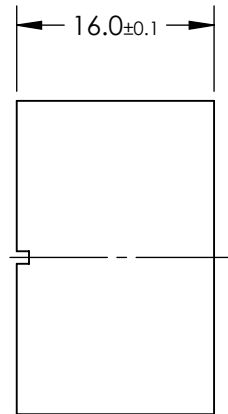
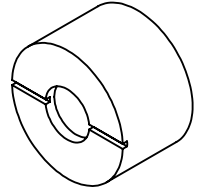


NOTES:

1. SUBSTRATE  
YVO4
2. EXTINCTION RATIO: >200,000:1
3. BEAM DEVIATION: <3 ARCMIN
4. BEAM SEPARATION (°): 9.8 - 13.0 , 10 @ 1550nm
5. DAMAGE THRESHOLD,  
CW: > 500 MW/cm<sup>2</sup>
6. RoHS NOT COMPLIANT

**FOR INFORMATION ONLY:  
DO NOT MANUFACTURE  
PARTS TO THIS DRAWING**



SPECIFICATIONS SUBJECT TO CHANGE WITHOUT NOTICE  
DIMENSIONS ARE FOR REFERENCE ONLY

**EO**® **Edmund Optics**®

CLEAR APERTURE	Ø10	THIRD ANGLE PROJECTION		TITLE	YVO4 ROCHON POLARIZER	
SURFACE QUALITY	20-10			DWG NO	68826	SHEET 1 OF 1
TRANSMITTED WAVEFRONT	λ/4 @ 632.8nm	ALL DIMS IN	mm			
WAVELENGTH RANGE	400 - 4000nm					