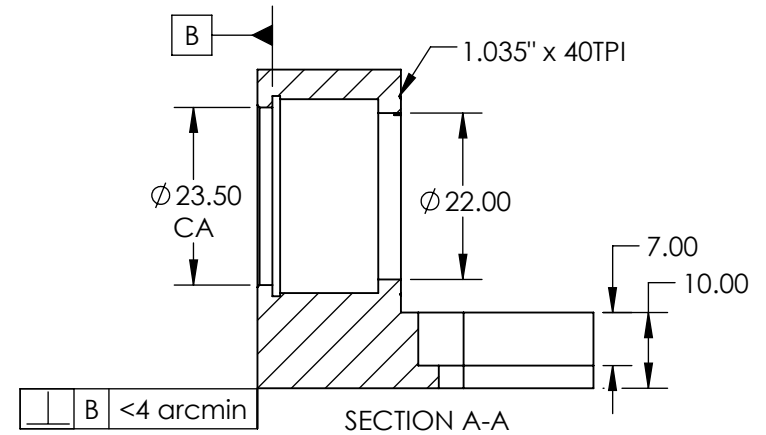
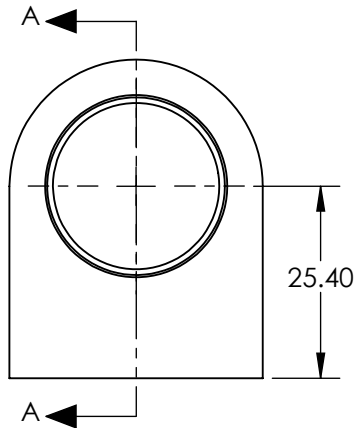
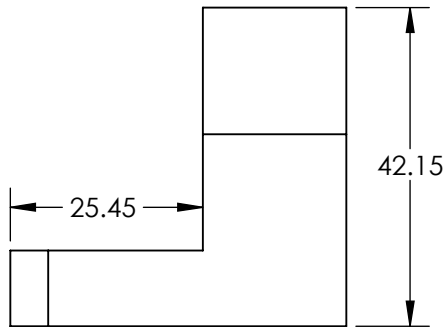
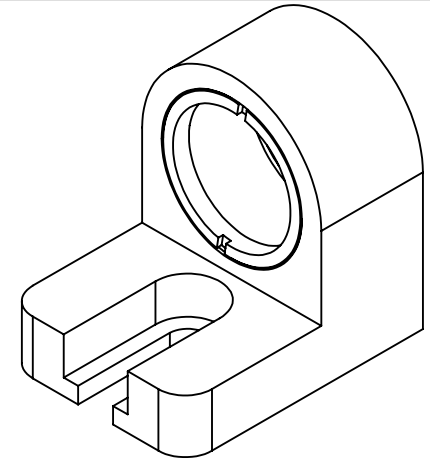
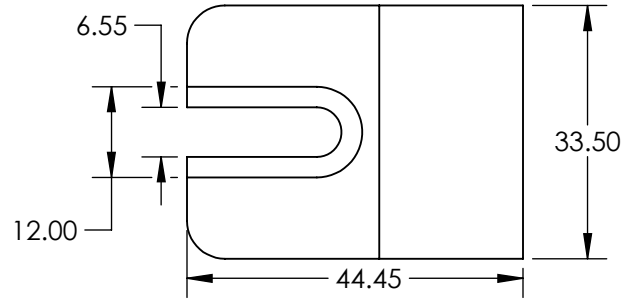
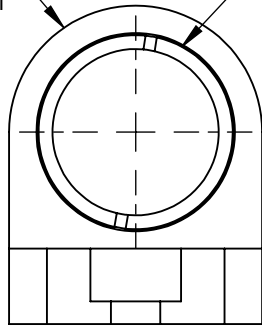


L-SLOT  
DIRECT MOUNT

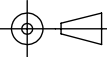
RETAINER RING



**FOR INFORMATION ONLY:  
DO NOT MANUFACTURE  
PARTS TO THIS DRAWING**

SPECIFICATIONS SUBJECT TO CHANGE WITHOUT NOTICE  
DIMENSIONS ARE FOR REFERENCE ONLY

**EO**® Edmund Optics®

THIRD ANGLE PROJECTION 		TITLE	25.4mm L-Slot Direct Mount	
ALL DIMS IN	mm	DWG NO	36410	SHEET 1 OF 1