

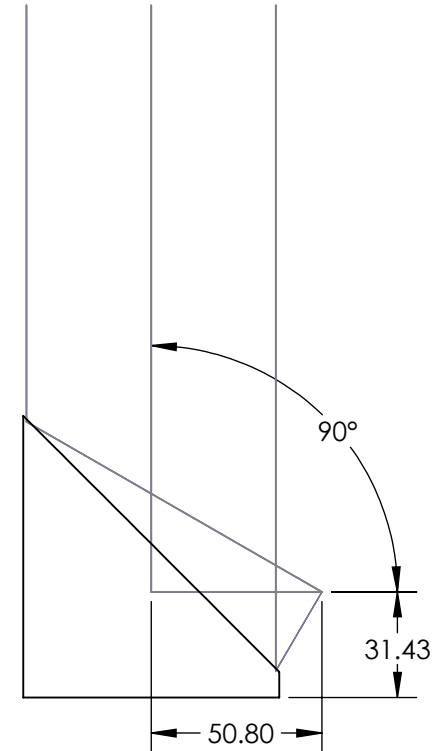
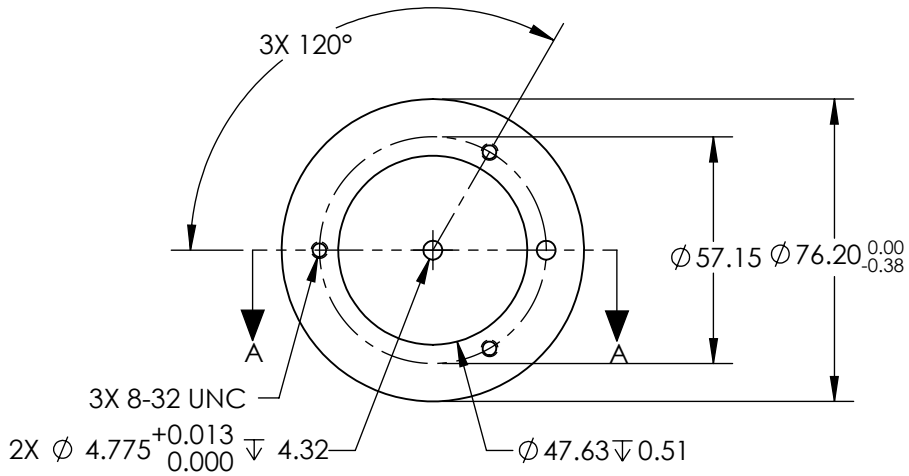
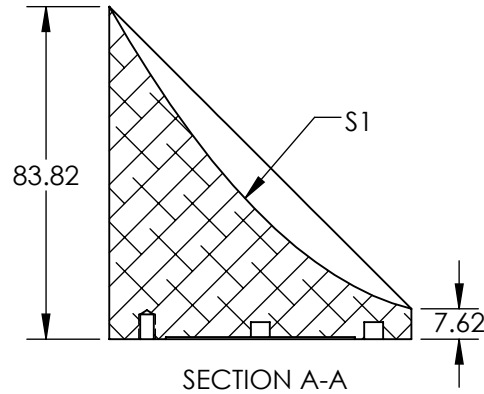
NOTES:

1. SUBSTRATE MATERIAL:
ALUMINUM
2. FINISH (EXCEPT SURFACE S1):
BLACK ANODIZED
3. COATING (APPLY ACROSS CLEAR APERTURE)
S1: SILVER WITH PROTECTIVE OVERCOAT
R(AVG) > 98% @ 450 - 10000nm

SURFACE ROUGHNESS: <100 Å RMS

4. FOCAL LENGTH TOLERANCE: ±1%
5. ROHS COMPLIANT

**FOR INFORMATION ONLY:
DO NOT MANUFACTURE
PARTS TO THIS DRAWING**



SPECIFICATIONS SUBJECT TO CHANGE WITHOUT NOTICE
DIMENSIONS ARE FOR REFERENCE ONLY

REV. A	S1	EFL	50.80		Edmund Optics® Ø76.2 X 50.8mm EFL 90° OAP PROTECTED SILVER MIRROR 100Å	
SHAPE	PARABOLIC	PFL	25.40			
REFLECTIVE WAVEFRONT DISTORTION AT 632.8nm (RMS)	3/2λ	THIRD ANGLE PROJECTION		TITLE		
SURFACE FIGURE AT 632.8nm (RMS)	3/4λ	ALL DIMS IN	mm	DWG NO		
CLEAR APERTURE	90%					SHEET 1 OF 1
BEVEL	PROTECTIVE AS NEEDED					