

NOTES:

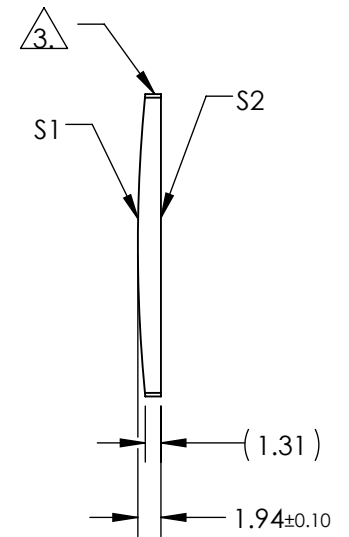
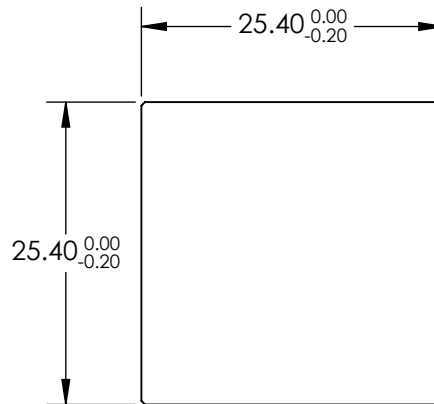
1. SUBSTRATE MATERIAL:
N-BK7

2. COATING (APPLY ACROSS CLEAR APERTURE)

S1 & S2: VIS-NIR (400-1000nm)
R(ABS) ≤0.25% @ 880nm
R(AVG) ≤1.25% @ 400 - 870nm
R(AVG) ≤1.25% @ 890 - 1000nm


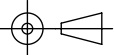
3. FINE GROUND SURFACE

4. RoHS COMPLIANT



**FOR INFORMATION ONLY:
DO NOT MANUFACTURE
PARTS TO THIS DRAWING**

SPECIFICATIONS SUBJECT TO CHANGE WITHOUT NOTICE
DIMENSIONS ARE FOR REFERENCE ONLY

	S1	S2	EFL	250	 Edmund Optics®		
SHAPE	CONVEX	PLANO	BFL	248.02			
RADIUS	129.2	INFINITY			TITLE	25.4mm H X 25.4mm L X 250mm FL VIS-NIR, CYLINDER LENS	
SURFACE QUALITY	60-40	60-40					
CLEAR APERTURE	22.86 x 22.86	22.86 x 22.86			DWG NO	36226	
BEVEL	PROTECTIVE AS NEEDED	PROTECTIVE AS NEEDED	ALL DIMS IN	mm			