

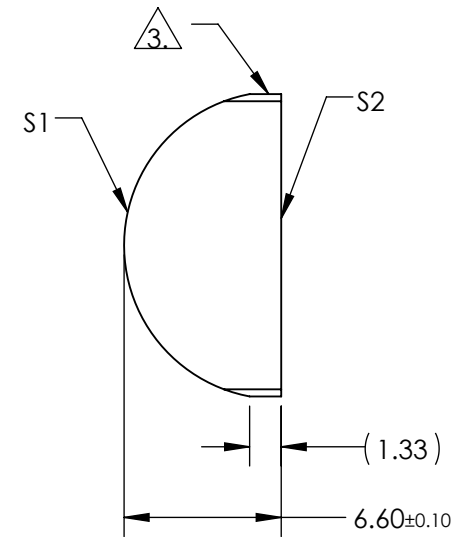
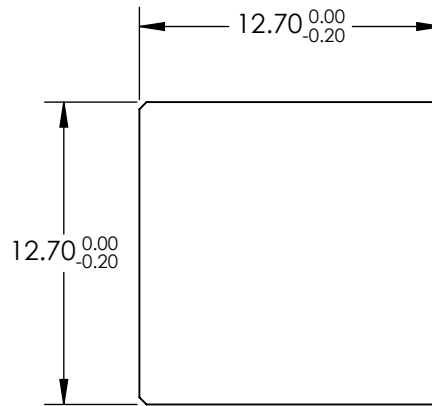
NOTES:

1. SUBSTRATE MATERIAL:  
N-BK7
2. COATING (APPLY ACROSS CLEAR APERTURE)

S1 & S2: VIS 0° (425-675nm)  
R(AVG) ≤0.4% @ 425 - 675nm


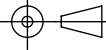
3. FINE GROUND SURFACE

4. RoHS COMPLIANT



**FOR INFORMATION ONLY:  
DO NOT MANUFACTURE  
PARTS TO THIS DRAWING**

SPECIFICATIONS SUBJECT TO CHANGE WITHOUT NOTICE  
DIMENSIONS ARE FOR REFERENCE ONLY

|                 |                      |                      |   |       |   |
|-----------------|----------------------|----------------------|---|-------|---|
|                 | S1                   | S2                   | EFL   | 12.5  |  <b>Edmund Optics®</b> |
| SHAPE           | CONVEX               | PLANO                | BFL   | 8.15  |   |
| RADIUS          | 6.46                 | INFINITY             |  |       | TITLE<br>12.7mm H X 12.7mm L X 12.5mm FL VIS 0°,<br>CYLINDER LENS   |
| SURFACE QUALITY | 60-40                | 60-40                | ALL DIMS IN   | mm    |   |
| CLEAR APERTURE  | 11.43 x 11.43        | 11.43 x 11.43        | DWG NO  | 36208 | SHEET<br>1 OF 1   |
| BEVEL           | PROTECTIVE AS NEEDED | PROTECTIVE AS NEEDED |   |       |   |