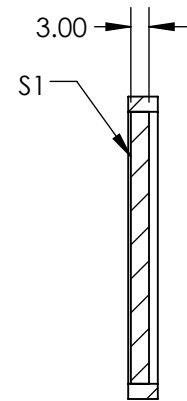
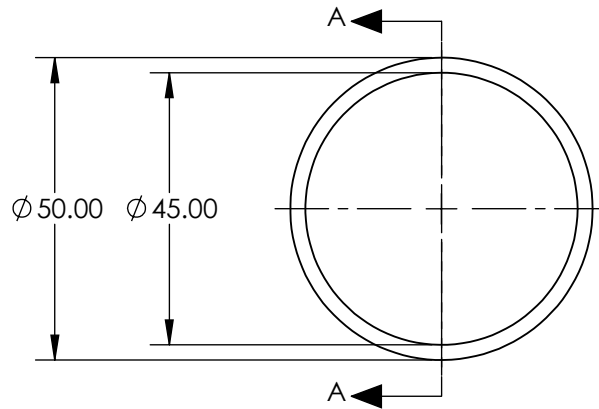
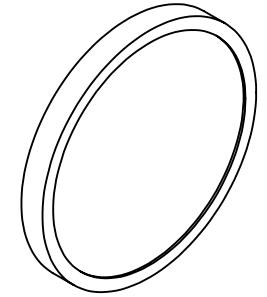


NOTES:

1. SUBSTRATE:  
Fused Silica (Corning 7980)
2. TEMPERATURE RANGE:  
-40 TO +170 °C

**FOR INFORMATION ONLY:  
DO NOT MANUFACTURE  
PARTS TO THIS DRAWING**



SECTION A-A

SPECIFICATIONS SUBJECT TO CHANGE WITHOUT NOTICE  
DIMENSIONS ARE FOR REFERENCE ONLY

	S1
SPECTRAL RANGE	200 - 1500nm
CLEAR APERTURE	Ø45
DIFFUSING ANGLE	15 ±1.5°
TRANSMISSION EFFICIENCY	90%

THIRD ANGLE PROJECTION

ALL DIMS IN mm

**Edmund Optics®**

TITLE

15° DIFFUSING ANGLE 50mm DIA., UV  
HOLOGRAPHIC DIFFUSER

DWG NO

48517

SHEET  
1 OF 1