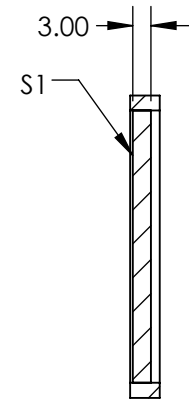
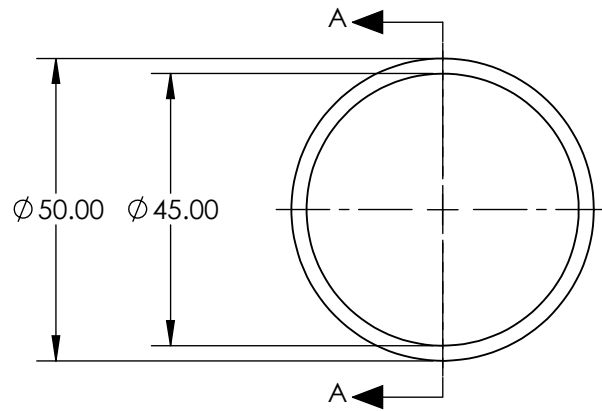
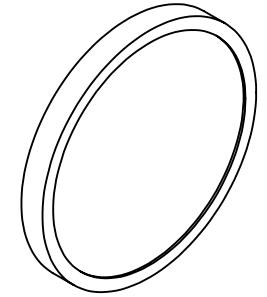


NOTES:

1. SUBSTRATE:
Fused Silica (Corning 7980)
2. TEMPERATURE RANGE:
-40 TO +170 °C

**FOR INFORMATION ONLY:
DO NOT MANUFACTURE
PARTS TO THIS DRAWING**



SECTION A-A

SPECIFICATIONS SUBJECT TO CHANGE WITHOUT NOTICE
DIMENSIONS ARE FOR REFERENCE ONLY

	S1
SPECTRAL RANGE	200 - 1500nm
CLEAR APERTURE	Ø45
DIFFUSING ANGLE	1 ±0.5°
TRANSMISSION EFFICIENCY	90%



ALL DIMS IN mm

EO® **Edmund Optics**®

TITLE

1° DIFFUSING ANGLE 50mm DIA., UV
HOLOGRAPHIC DIFFUSER

DWG NO

48514

SHEET
1 OF 1