

NOTES:

1. SUBSTRATE: SODA LIME FLOAT GLASS
2. COATING (APPLY ACROSS COATING APERTURE)

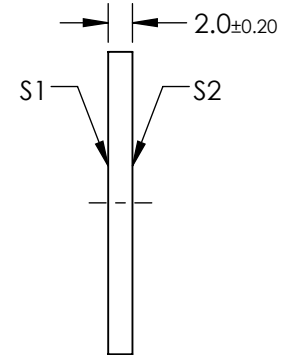
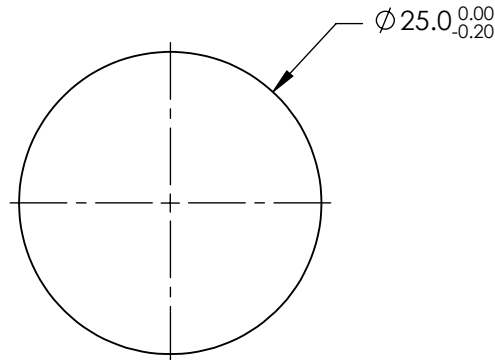
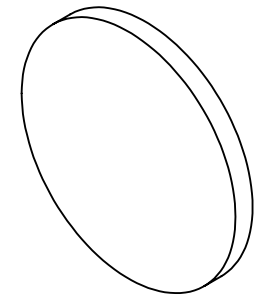
S1 & S2:

EXTINCTION RATIO: $T_p/T_s > 100000:1$ FROM 372 - 388nm
 TRANSMISSION: $TP > 52\%$ FROM 372 - 388nm

EXTINCTION RATIO: $T_p/T_s > 10000:1$ FROM 369 - 390nm
 TRANSMISSION: $TP > 52\%$ FROM 369 - 390nm

EXTINCTION RATIO: $T_p/T_s > 1000:1$ FROM 365 - 395nm
 TRANSMISSION: $TP > 51\%$ FROM 365 - 395nm

3. BEAM DEVIATION: < 1 arcmin
4. WAVEFRONT DISTORTION: $< 1/4$ WAVE @ 633nm
5. RoHS COMPLIANT



**FOR INFORMATION ONLY:
 DO NOT MANUFACTURE
 PARTS TO THIS DRAWING**

SPECIFICATIONS SUBJECT TO CHANGE WITHOUT NOTICE
 DIMENSIONS ARE FOR REFERENCE ONLY



THIRD ANGLE PROJECTION		TITLE	Ø25mm, HIGH CONTRAST UV POLARIZER	
ALL DIMS IN	mm	DWG NO	36651	SHEET 1 OF 1