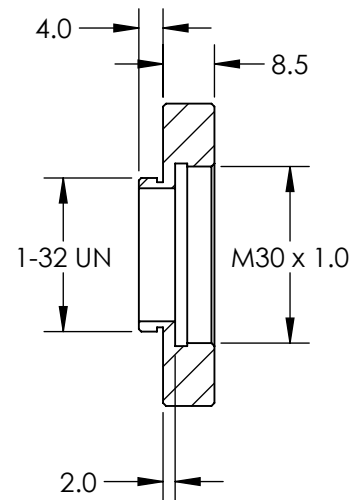
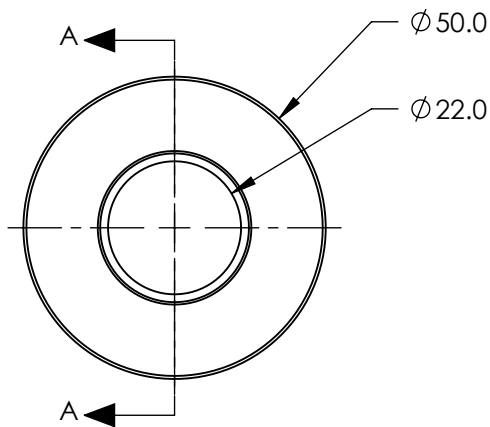
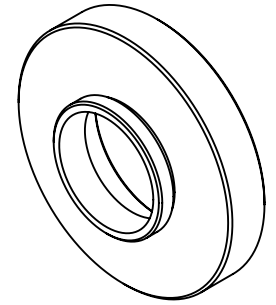


**FOR INFORMATION ONLY:  
DO NOT MANUFACTURE  
PARTS TO THIS DRAWING**



SECTION A-A

SPECIFICATIONS SUBJECT TO CHANGE WITHOUT NOTICE  
DIMENSIONS ARE FOR REFERENCE ONLY

**EO**® **Edmund Optics**®

REV. A	VALUE	THIRD ANGLE PROJECTION	TITLE	FEMALE M30 x 1.0 TO MALE C-MOUNT ADAPTER	
CONSTRUCTION	ALUMINUM		DWG NO	35474	SHEET 1 OF 1
COATING TYPE	BLACK ANODIZED		ALL DIMS IN	mm	