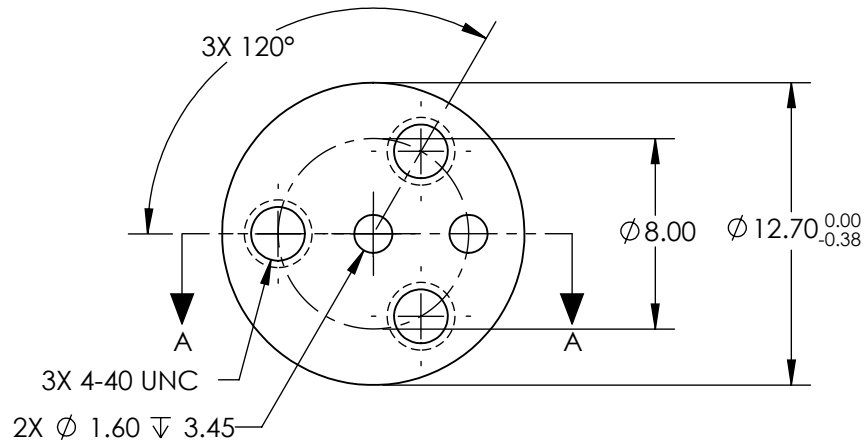
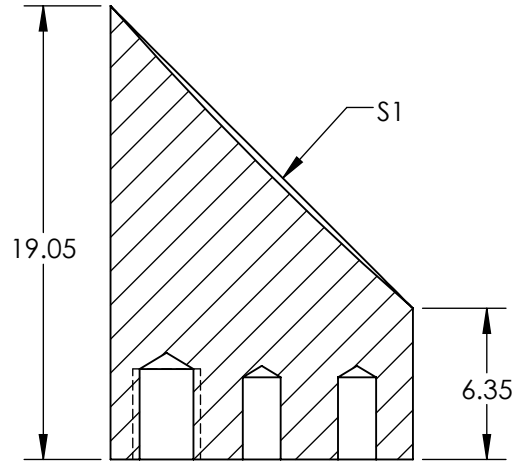
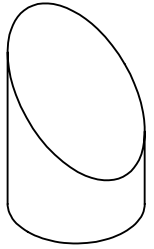


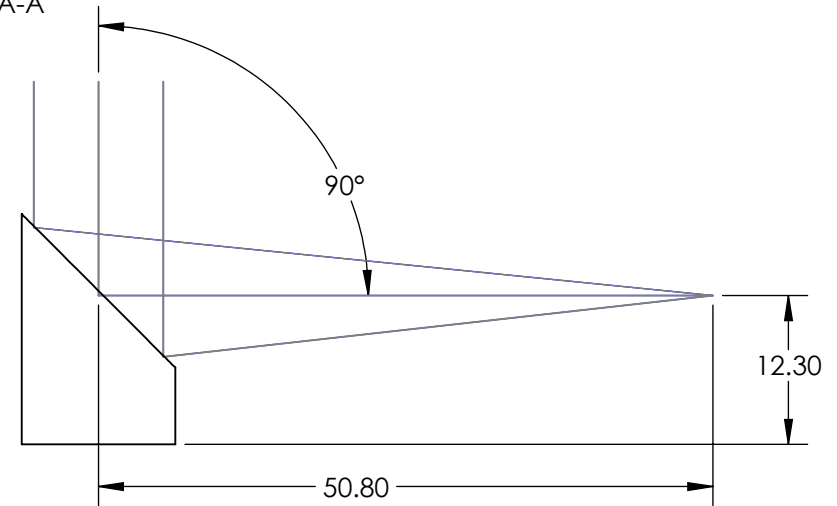
NOTES:

1. SUBSTRATE MATERIAL:
ALUMINUM
2. FINISH (EXCEPT SURFACE S1):
BLACK ANODIZED
3. COATING (APPLY ACROSS CLEAR APERTURE)
S1: PROTECTED ALUMINUM
R(AVG) >85% @ 400 - 700nm
R(AVG) >70% @ 700 - 2000nm
R(AVG) >97% @ 2000 - 12000nm
- SURFACE ROUGHNESS: <100 Å RMS
4. FOCAL LENGTH TOLERANCE: ±1%
5. ROHS COMPLIANT

**FOR INFORMATION ONLY:
DO NOT MANUFACTURE
PARTS TO THIS DRAWING**



SECTION A-A



SPECIFICATIONS SUBJECT TO CHANGE WITHOUT NOTICE
DIMENSIONS ARE FOR REFERENCE ONLY

REV. A	S1	EFL	50.80		Edmund Optics® Ø12.7 X 50.8mm EFL 90° OAP PROTECTED ALUMINUM MIRROR 100Å	
SHAPE	PARABOLIC	PFL	25.40			
REFLECTIVE WAVEFRONT DISTORTION AT 632.8nm (RMS)	λ/2	THIRD ANGLE PROJECTION		TITLE	Ø12.7 X 50.8mm EFL 90° OAP PROTECTED ALUMINUM MIRROR 100Å	
SURFACE FIGURE AT 632.8nm (RMS)	λ/4	ALL DIMS IN	mm	DWG NO		
CLEAR APERTURE	90%					SHEET 1 OF 1
BEVEL	PROTECTIVE AS NEEDED					