

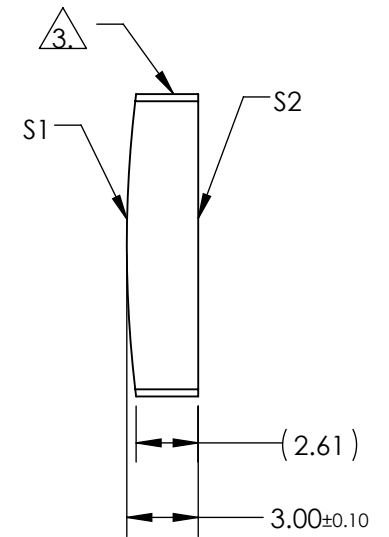
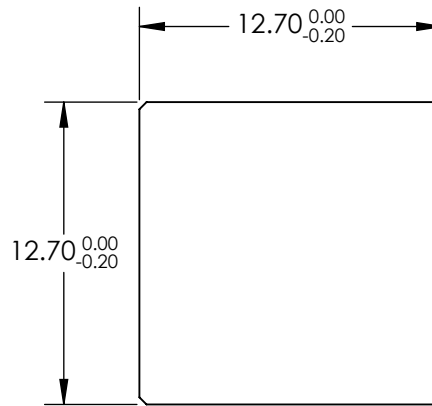
NOTES:

1. SUBSTRATE MATERIAL:
N-BK7
2. COATING (APPLY ACROSS CLEAR APERTURE)

S1 & S2: NONE


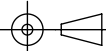
3. FINE GROUND SURFACE

4. RoHS COMPLIANT



**FOR INFORMATION ONLY:
DO NOT MANUFACTURE
PARTS TO THIS DRAWING**

SPECIFICATIONS SUBJECT TO CHANGE WITHOUT NOTICE
DIMENSIONS ARE FOR REFERENCE ONLY

	S1	S2	EFL	100	 Edmund Optics®		
SHAPE	CONVEX	PLANO	BFL	98.02			
RADIUS	51.68	INFINITY	THIRD ANGLE PROJECTION 		TITLE	12.7mm H X 12.7mm L X 100mm FL UNCOATED, CYLINDER LENS	
SURFACE QUALITY	60-40	60-40					
CLEAR APERTURE	11.43 x 11.43	11.43 x 11.43			DWG NO	35022	SHEET 1 OF 1
BEVEL	PROTECTIVE AS NEEDED	PROTECTIVE AS NEEDED	ALL DIMS IN	mm			