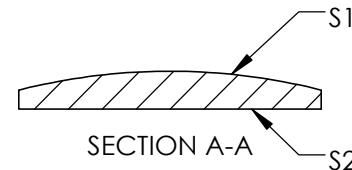
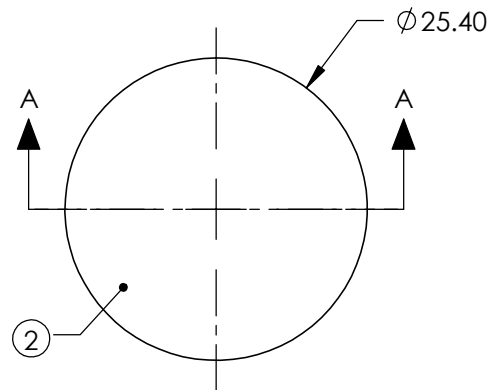
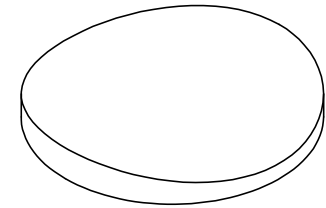


NOTES:

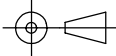
1. SUBSTRATE:  
GRADE A FINE ANNEALED
- ② COATING (APPLY ACROSS COATING APERTURE)  
NONE  
NONE
3. CENTERING TOLERANCE (AT 587.6nm):  
PLANO AXIS WEDGE: < 5 ARCMIN  
POWER AXIS WEDGE: < 5 ARCMIN
- △ 4. FINE GRIND SURFACE
5. POWER, IRREGULARITY, AND SURFACE QUALITY  
SPECIFICATIONS APPLY ACROSS CLEAR APERTURE
6. FOCAL LENGHT (EFL): 100nm  
BACK FOCAL LENGTH (BFL): 97.92nm
7. RoHS COMPLIANT



**FOR INFORMATION ONLY:  
DO NOT MANUFACTURE  
PARTS TO THIS DRAWING**

SPECIFICATIONS SUBJECT TO CHANGE WITHOUT NOTICE  
DIMENSIONS ARE FOR REFERENCE ONLY

**EO**® Edmund Optics®

	S1	S2						
SHAPE	CONVEX	PLANO	THIRD ANGLE PROJECTION 		TITLE	LENS PCX CYLINDER 25.40mm Dia x 100.00mm EFL		
SURFACE QUALITY	40 - 20	40 - 20			DWG NO	34613	SHEET	1 OF 1
CLEAR APERTURE	$\phi 22.86$	$\phi 22.86$			ALL DIMS IN	mm		
BEVEL	PROTECTIVE AS NEEDED	PROTECTIVE AS NEEDED						