

NOTES:

1. SUBSTRATE MATERIAL:  
N-BK7

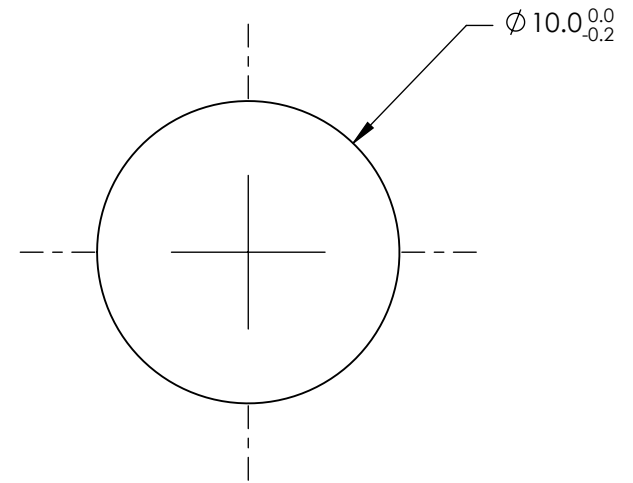
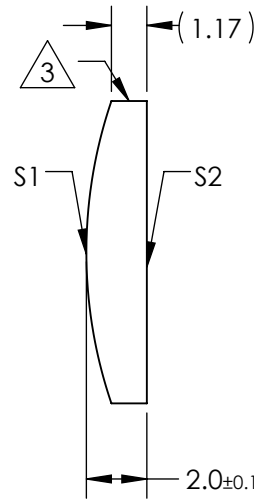
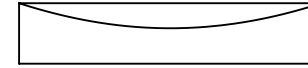
2. COATING (APPLY ACROSS CLEAR APERTURE)

S1 & S2: NONE

3. FINE GROUND SURFACE


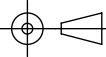
4. POWER, IRREGULARITY, AND SURFACE QUALITY SPECIFICATIONS APPLY ACROSS CLEAR APERTURE

5. RoHS COMPLIANT



**FOR INFORMATION ONLY:  
DO NOT MANUFACTURE  
PARTS TO THIS DRAWING**

SPECIFICATIONS SUBJECT TO CHANGE WITHOUT NOTICE  
DIMENSIONS ARE FOR REFERENCE ONLY

REV. A	S1	S2	EFL	30	 <b>Edmund Optics®</b>	
SHAPE	CONVEX	PLANO	BFL	28.67		
RADIUS	15.5	$\infty$	THIRD ANGLE PROJECTION 		TITLE	10mm DIA X 30mm FL UNCOATED, CYLINDER LENS
SURFACE QUALITY	60-40	60-40	ALL DIMS IN	mm	DWG NO	47756
CLEAR APERTURE	$\varnothing 9.00$	$\varnothing 9.00$				
COATING APERTURE	$\varnothing 9.00$	$\varnothing 9.00$				
BEVEL	PROTECTED AS NEEDED	PROTECTED AS NEEDED				
						SHEET 1 OF 1