

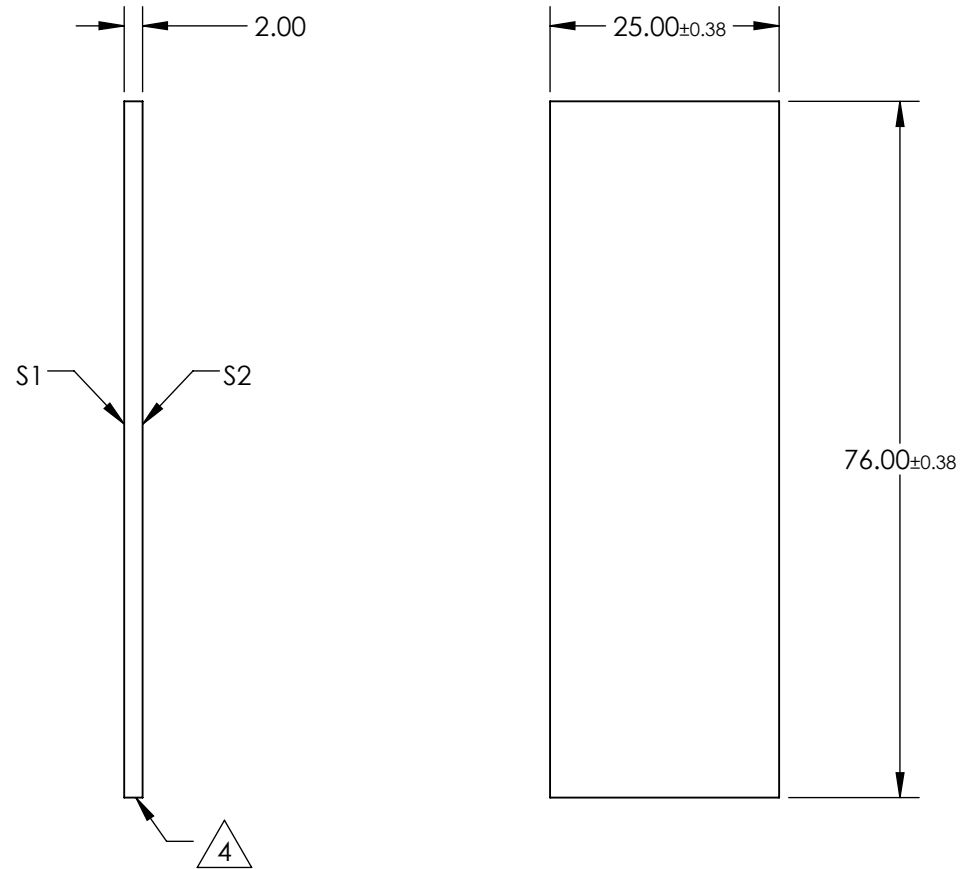
NOTES:

1. SUBSTRATE MATERIAL:  
FLOAT GLASS
2. ROHS COMPLIANT
3. COATING (APPLY ACROSS CLEAR APERTURE)

S1: 30% R  $\pm 5\%$  @ 550nm  
70% T  $\pm 5\%$  @ 550nm

S2: 1/4 WAVE MgF2 @ 550nm

4. EDGES CUT



**FOR INFORMATION ONLY:  
DO NOT MANUFACTURE  
PARTS TO THIS DRAWING**

SPECIFICATIONS SUBJECT TO CHANGE WITHOUT NOTICE  
DIMENSIONS ARE FOR REFERENCE ONLY

REV. A	S1	S2
SHAPE	PLANO	PLANO
SURFACE QUALITY	80-50	80-50
SURFACE FLATNESS	4 - 6 $\lambda$	4 - 6 $\lambda$
BEVEL	PROTECTED AS NEEDED	PROTECTED AS NEEDED

THIRD ANGLE PROJECTION

ALL DIMS IN mm

**EO**® Edmund Optics®

TITLE

25 x 76mm, 30 R/70 T, PLATE BEAMSPLITTER

DWG NO

46671

SHEET  
1 OF 1