

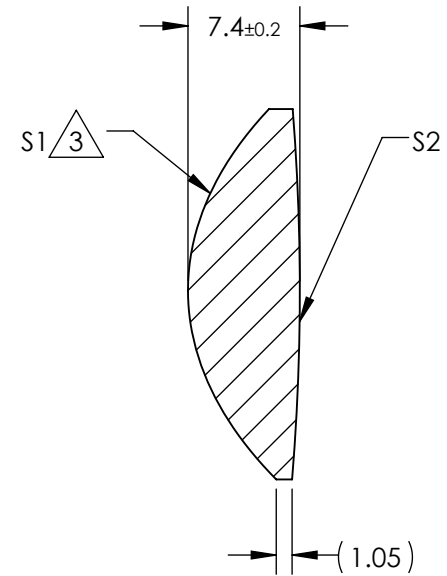
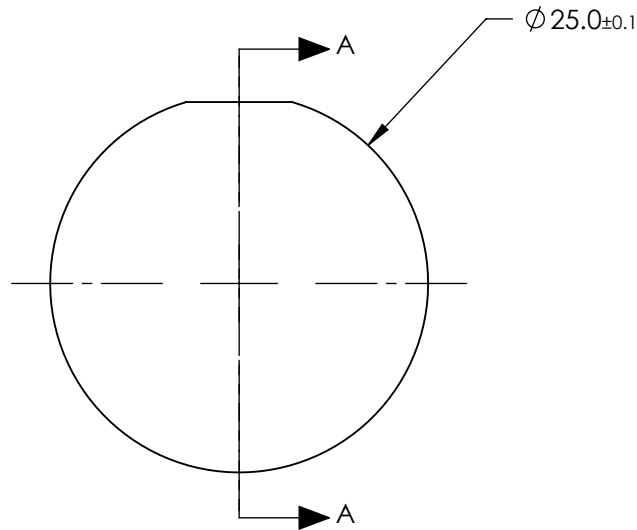
NOTES:

1. SUBSTRATE: GRADE A FINE ANNEALED
ZEONEX: E48R
nd=1.531
vd=56.0
2. COATING
S1: R(avg) <0.7% @ 600 - 1000nm
S2: R(avg) <0.7% @ 600 - 1000nm

3. ASPHERIC SURFACE DESCRIBED BY (REF. COEFFICIENT TABLE)

$$Z_{ASPH}(Y) = \frac{(\frac{1}{RADIUS}) * Y^2}{1 + \sqrt{1 - (1+k) * (\frac{1}{RADIUS})^2 * Y^2}} + D * Y^2 + E * Y^4 + F * Y^6 + G * Y^8 + H * Y^{10} + J * Y^{12} + L * Y^{14}$$

FOR INFORMATION ONLY:
DO NOT MANUFACTURE
PARTS TO THIS DRAWING



SECTION A-A

COEFFICIENT TABLE	
COEFFICIENT	S1
k	-1.7
D	0
E	4.515816E-05
F	-5.005439E-08
G	8.609712E-11
H	-2.619259E-13
J	2.635988E-16
L	0

SPECIFICATIONS SUBJECT TO CHANGE WITHOUT NOTICE DIMENSIONS ARE FOR REFERENCE ONLY

REV. A	S1	S2	EFL @ 587.6nm	25		Edmund Optics®	
SHAPE	CONVEX	CONVEX	BFL @ 587.6nm	20.52			TITLE
RADIUS	14.24	152.34	THIRD ANGLE PROJECTION				
SURFACE QUALITY	80-50	80-50	ALL DIMS IN	mm	DWG NO	66022	SHEET 1 OF 1
CLEAR APERTURE	Ø 23	Ø 23					
BEVEL MAX	PROTECTIVE AS NEEDED	PROTECTIVE AS NEEDED					