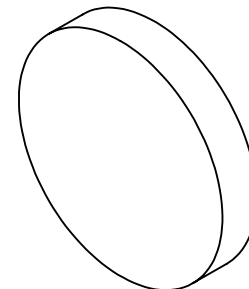


NOTES:

1. SUBSTRATE MATERIAL: BOROFLOAT®

**FOR INFORMATION ONLY:
DO NOT MANUFACTURE
PARTS TO THIS DRAWING**



2. PARABOLIC SURFACE:

$$Z=Y^2/[4 * EFL]$$

3. COATING (APPLY ACROSS CLEAR APERTURE)

S1: NONE

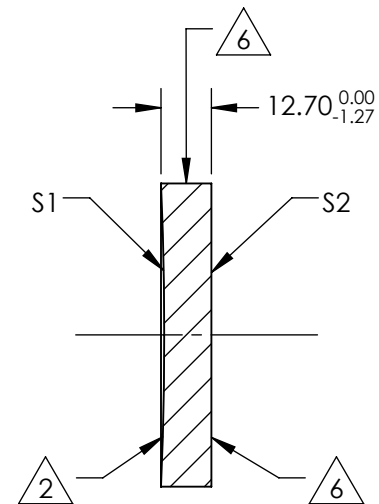
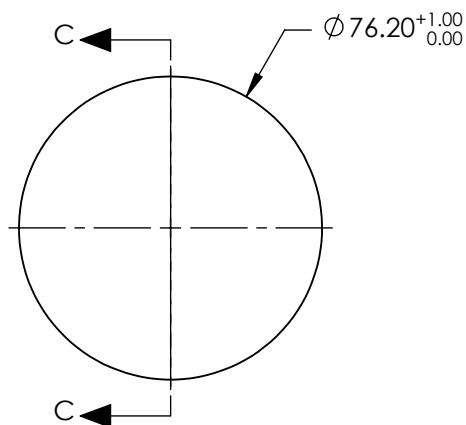
S2: NONE

4. EDGES: MOLDED EDGE ACCEPTABLE

5. POWER, IRREGULARITY, SURFACE QUALITY AND COATING SPECIFICATIONS APPLY ACROSS CLEAR APERTURE

6. FINE GRIND SURFACE

7. RoHS COMPLIANT

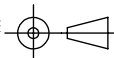


SECTION C-C

SPECIFICATIONS SUBJECT TO CHANGE WITHOUT NOTICE
DIMENSIONS ARE FOR REFERENCE ONLY

| REV. A | S1 | S2 |
|------------------------|----------------------|----------------------|
| SHAPE | CONCAVE | PLANO |
| EFFECTIVE FOCAL LENGTH | 444.5nm | N/A |
| FOCAL LENGTH TOLERANCE | ±1% | N/A |
| SURFACE QUALITY | 60-40 | FINE GRIND |
| SURFACE FLATNESS | λ/8 | N/A |
| BEVEL | PROTECTIVE AS NEEDED | PROTECTIVE AS NEEDED |

THIRD ANGLE PROJECTION



ALL DIMS IN

mm

EO® Edmund Optics®

TITLE

3" Diameter x 17.5" FL Uncoated, Parabolic Mirror

DWG NO

32064000

SHEET 1 OF 1