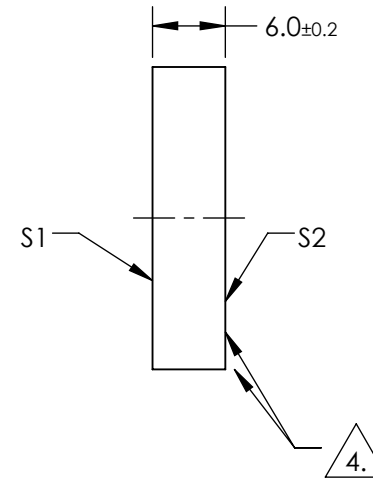
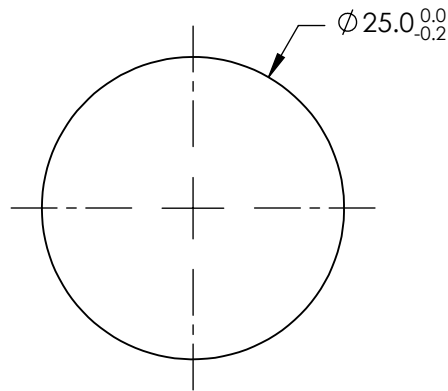
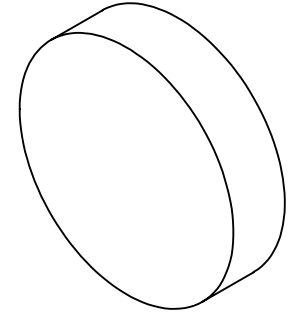


NOTES:

1. SUBSTRATE:
FUSED SILICA
2. COATING SPECIFICATIONS APPLY ACROSS COATING APERTURE
S1: ENHANCED ALUMINUM
R(avg) >88% @ 190 - 195nm
R(avg) >85% @ 200nm - 600nm
S2: NONE
3. SURFACE S2 TO BE PARALLEL WITH SURFACE S1 TO WITHIN <3 ARCMIN
4. FINE GROUND SURFACE
5. ROHS COMPLIANT

**FOR INFORMATION ONLY:
DO NOT MANUFACTURE
PARTS TO THIS DRAWING**



SPECIFICATIONS SUBJECT TO CHANGE WITHOUT NOTICE
DIMENSIONS ARE FOR REFERENCE ONLY

REV. A.	S1	S2
SHAPE	PLANO	PLANO
CLEAR APERTURE	>90%	N/A
SURFACE QUALITY	10-5	FIND GROUND
SURFACE FLATNESS	1/10 WAVE	N/A
BEVEL	PROTECTIVE AS NEEDED	PROTECTIVE AS NEEDED

THIRD ANGLE PROJECTION

ALL DIMS IN mm

Edmund Optics®

TITLE: Ø25mm, DEEP UV ENHANCED MIRROR

DWG NO: 48568

SHEET 1 OF 1