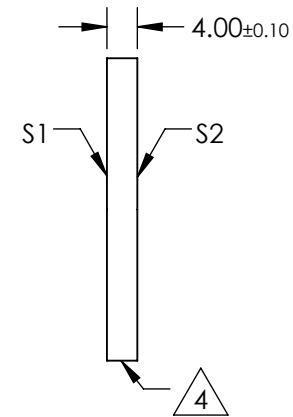
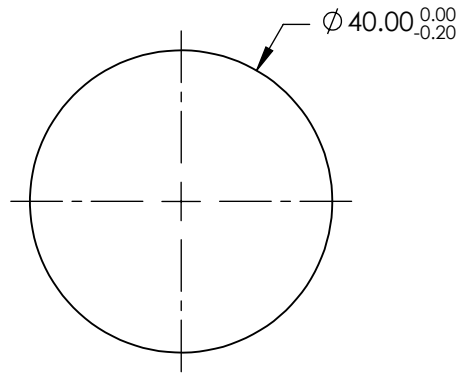
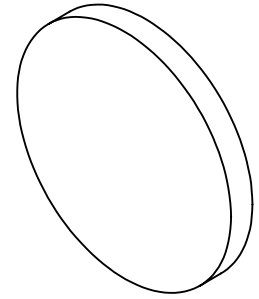


NOTES:

1. SUBSTRATE: UV GRADE FUSED SILICA
2. COATING (APPLY ACROSS CLEAR APERTURE)
 S1 & S2: RABS $\leq 0.25\%$ @ 880nm
 RAVG $\leq 1.25\%$ @ 400 - 870nm
 RAVG $\leq 1.25\%$ @ 890 - 1000nm
3. SURFACE S2 TO BE PARALLEL WITH S1 TO < 5 ARCSEC
4. FINE GRIND SURFACE
5. RoHS COMPLIANT



**FOR INFORMATION ONLY:
DO NOT MANUFACTURE
PARTS TO THIS DRAWING**

SPECIFICATIONS SUBJECT TO CHANGE WITHOUT NOTICE
DIMENSIONS ARE FOR REFERENCE ONLY

	S1	S2
SHAPE	PLANO	PLANO
SURFACE QUALITY	20-10	20-10
CLEAR APERTURE	Ø32.00	Ø32.00
BEVEL	PROTECTIVE AS NEEDED	PROTECTIVE AS NEEDED

THIRD ANGLE PROJECTION

ALL DIMS IN mm

EO® Edmund Optics®

TITLE

40mm DIA., 4mm THICK, VIS-NIR COATED $\lambda/10$
FUSED SILICA WINDOW

DWG NO

84457

SHEET
1 OF 1