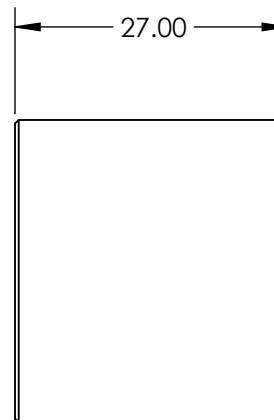
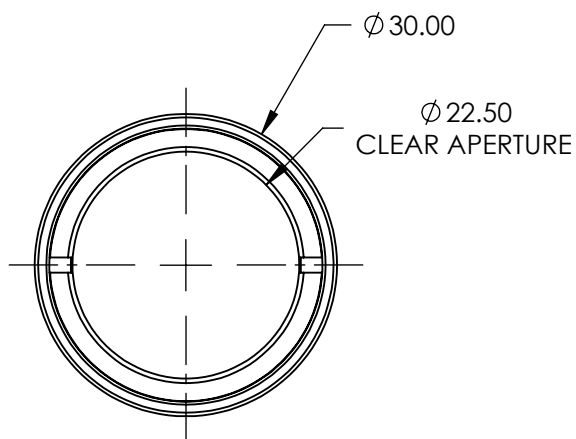
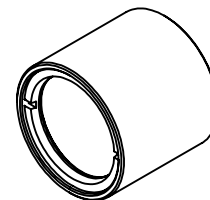


**NOTES:**

1. SUBSTRATE: CAF2 / FUSED SILICA / CAF2
2. COATING: MgF2 @ 600nm
3. WAVELENGTH RANGE: 193 - 1000nm



**FOR INFORMATION ONLY:  
DO NOT MANUFACTURE  
PARTS TO THIS DRAWING**

SPECIFICATIONS SUBJECT TO CHANGE WITHOUT NOTICE DIMENSIONS ARE FOR REFERENCE ONLY

|  |       |   |   |              |
|--|-------|---|---|--------------|
| EFL @ 248nm  | 36    |  <b>Edmund Optics®</b> | 36mm EFL MgF2 COATED, UV-TO-NIR CORRECTED TRIPLET |              |
| BFL @ 248nm  | 24.98 |   |   |              |
| THIRD ANGLE PROJECTION  | TITLE |   |   |              |
| ALL DIMS IN  | mm    | DWG NO  | 65033   | SHEET 1 OF 1 |