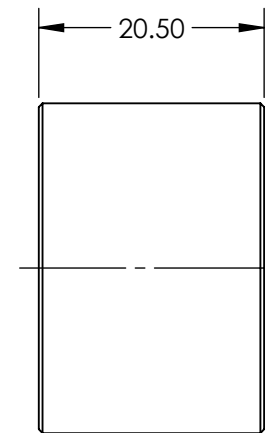
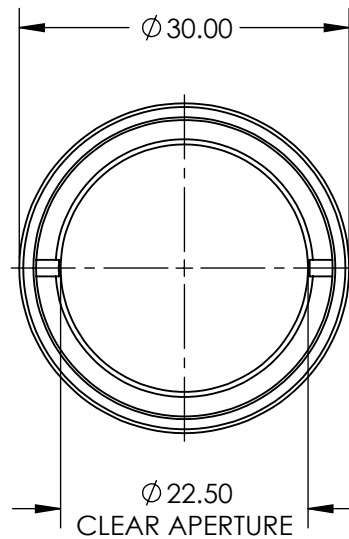
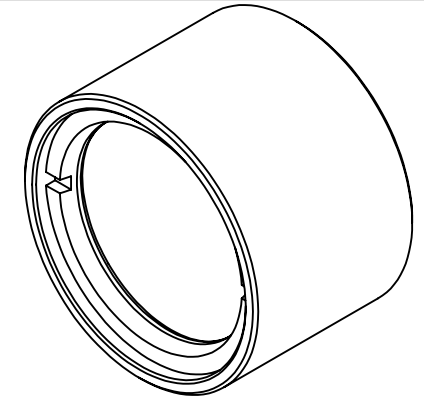


NOTES:

1. SUBSTRATE: CAF2 / FUSED SILICA / CAF2
2. EFFECTIVE FOCAL LENGTH @ 248nm: 90mm
3. BACK FOCAL LENGTH: 84.76mm
4. BACK FOCAL LENGTH FROM HOUSING: 81.9mm



SPECIFICATIONS SUBJECT TO CHANGE WITHOUT NOTICE  
DIMENSIONS ARE FOR REFERENCE ONLY

**FOR INFORMATION ONLY:  
DO NOT MANUFACTURE  
PARTS TO THIS DRAWING**

**EO**® Edmund Optics®

THIRD ANGLE PROJECTION 		TITLE	90mm EFL MgF2 COATED, UV-NIR CORRECTED TRIPLET	
ALL DIMS IN	mm	DWG NO	64838	SHEET 1 OF 1