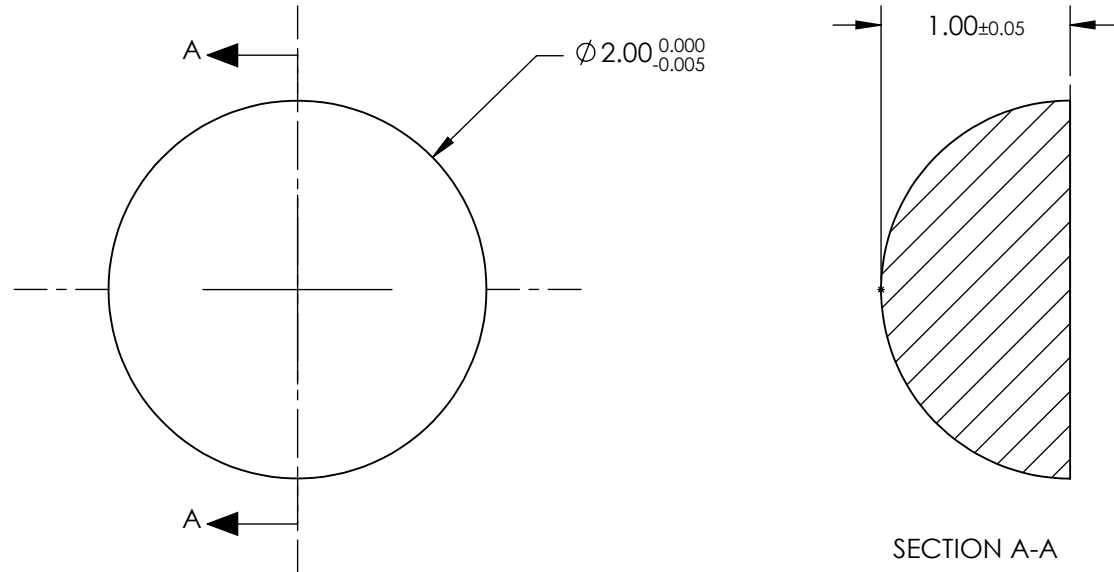


NOTES:

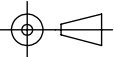
1. SUBSTRATE MATERIAL:  
N-BK7
2. COATING:  
NONE
3. FINISH:  
POLISHED
4. RoHS COMPLIANT



SPECIFICATIONS SUBJECT TO CHANGE WITHOUT NOTICE  
DIMENSIONS ARE FOR REFERENCE ONLY

**FOR INFORMATION ONLY:  
DO NOT MANUFACTURE  
PARTS TO THIS DRAWING**

**EO**® Edmund Optics®

THIRD ANGLE PROJECTION 		TITLE	2.0mm DIAMETER, N-BK7 HALF-BALL LENS	
ALL DIMS IN	mm	DWG NO	45933	SHEET 1 OF 1