

NOTES:

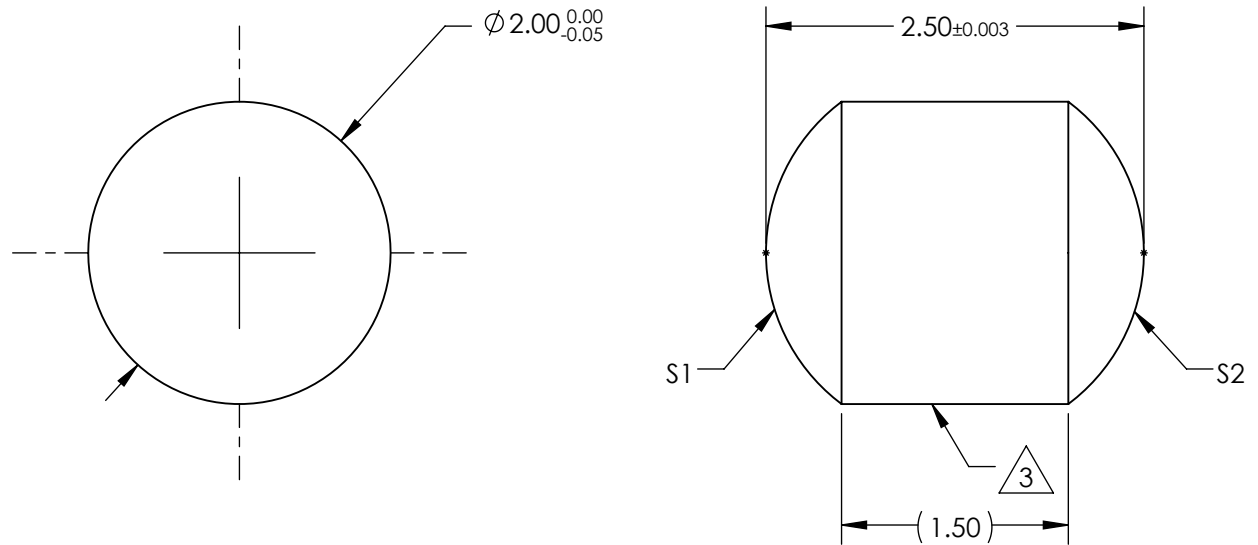
1. SUBSTRATE MATERIAL:
N-BK7
2. COATING (APPLY ACROSS CLEAR APERTURE)

S1: R(avg) ≤0.5% @ 600 - 1050nm

S2: NONE

3. FINE GROUND SURFACE

4. RoHS COMPLIANT



**FOR INFORMATION ONLY:
DO NOT MANUFACTURE
PARTS TO THIS DRAWING**

SPECIFICATIONS SUBJECT TO CHANGE WITHOUT NOTICE
DIMENSIONS ARE FOR REFERENCE ONLY

REV. A	S1	S2
SHAPE	CONVEX	CONVEX
RADIUS	1.25	1.25
SURFACE QUALITY	40-20	40-20
BEVEL	PROTECTIVE AS NEEDED	PROTECTIVE AS NEEDED

THIRD ANGLE PROJECTION

ALL DIMS IN mm

Edmund Optics®

TITLE

2.0mm DIAMETER X 2.5mm LENGTH NIR I
COATED, N-BK7 DRUM LENS

DWG NO

45836

SHEET
1 OF 1